



ISSUED NO. ZHR800 EUO-1

# Parts catalogue

## BULL MOWER

### (EXPORT MODEL)

### ZHR800

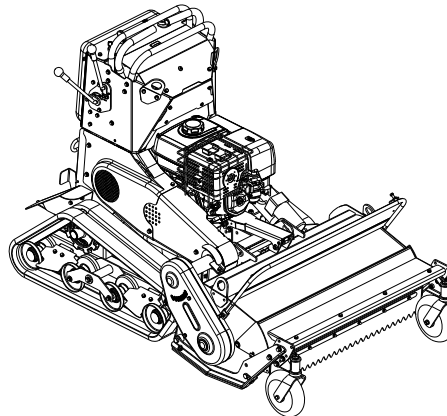
Serial Number : **RH24C00001** ~

MODEL

CODE

ZHR800/EUO

0940-○○○○



### CONTENTS

|        |                       |    |
|--------|-----------------------|----|
| Fig. 1 | OVERALL VIEW -----    | 1  |
| Fig. 2 | CRAWLER & FRAME ----- | 7  |
| Fig. 3 | HANDLE -----          | 10 |
| Fig. 4 | ROTARY -----          | 15 |
| Fig. 5 | ENGINE -----          | 22 |
| Fig. 6 | TRANSMISSION -----    | 27 |
| Fig. 7 | HST -----             | 35 |
| Fig. 8 | Label -----           | 37 |
| Fig. 9 | Option-----           | 39 |

Update : **Jan.2024**



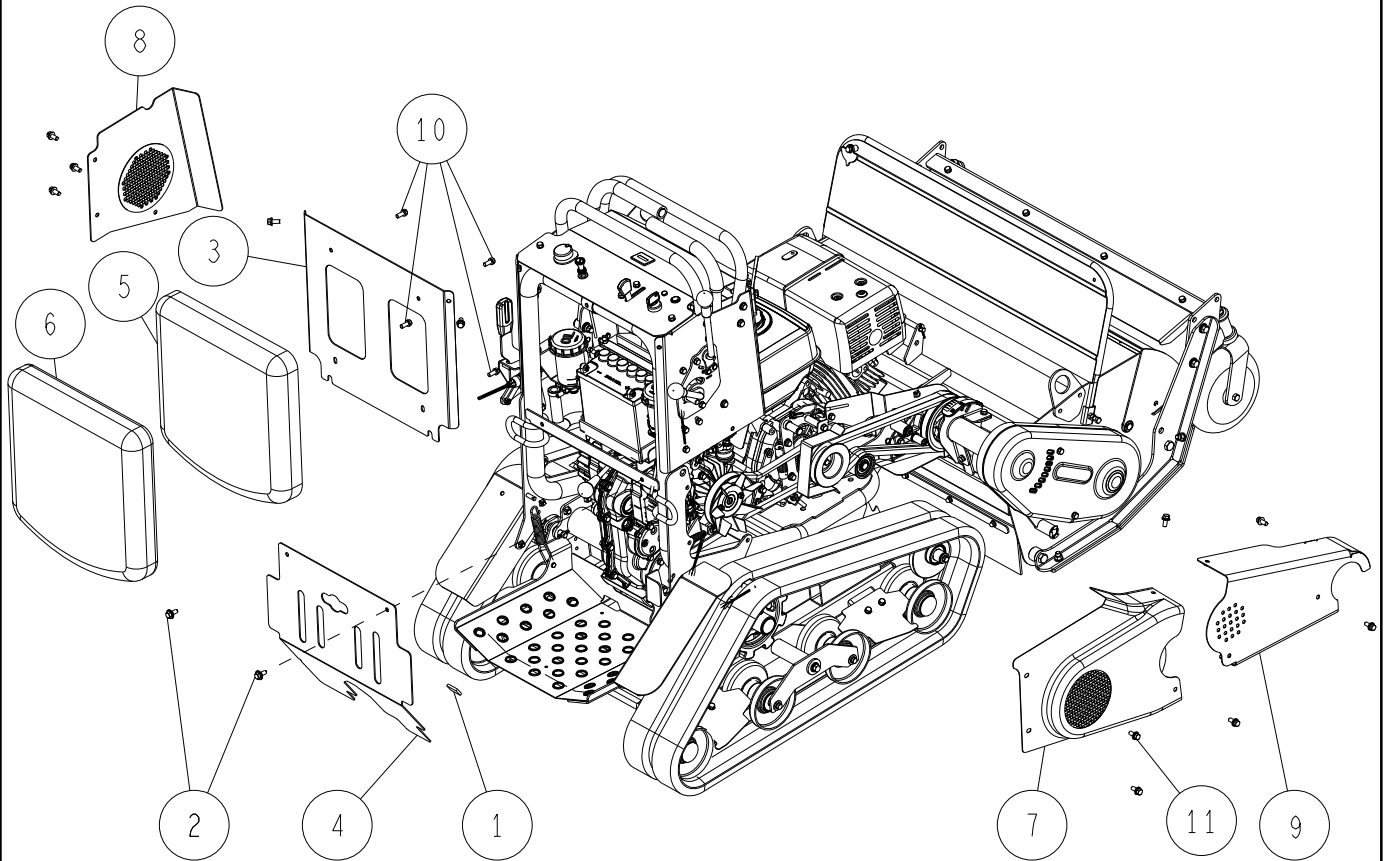
# MEMO

- \*1) Interchangeable
- \*2) Serial Number :
- \*3) Serial Number :

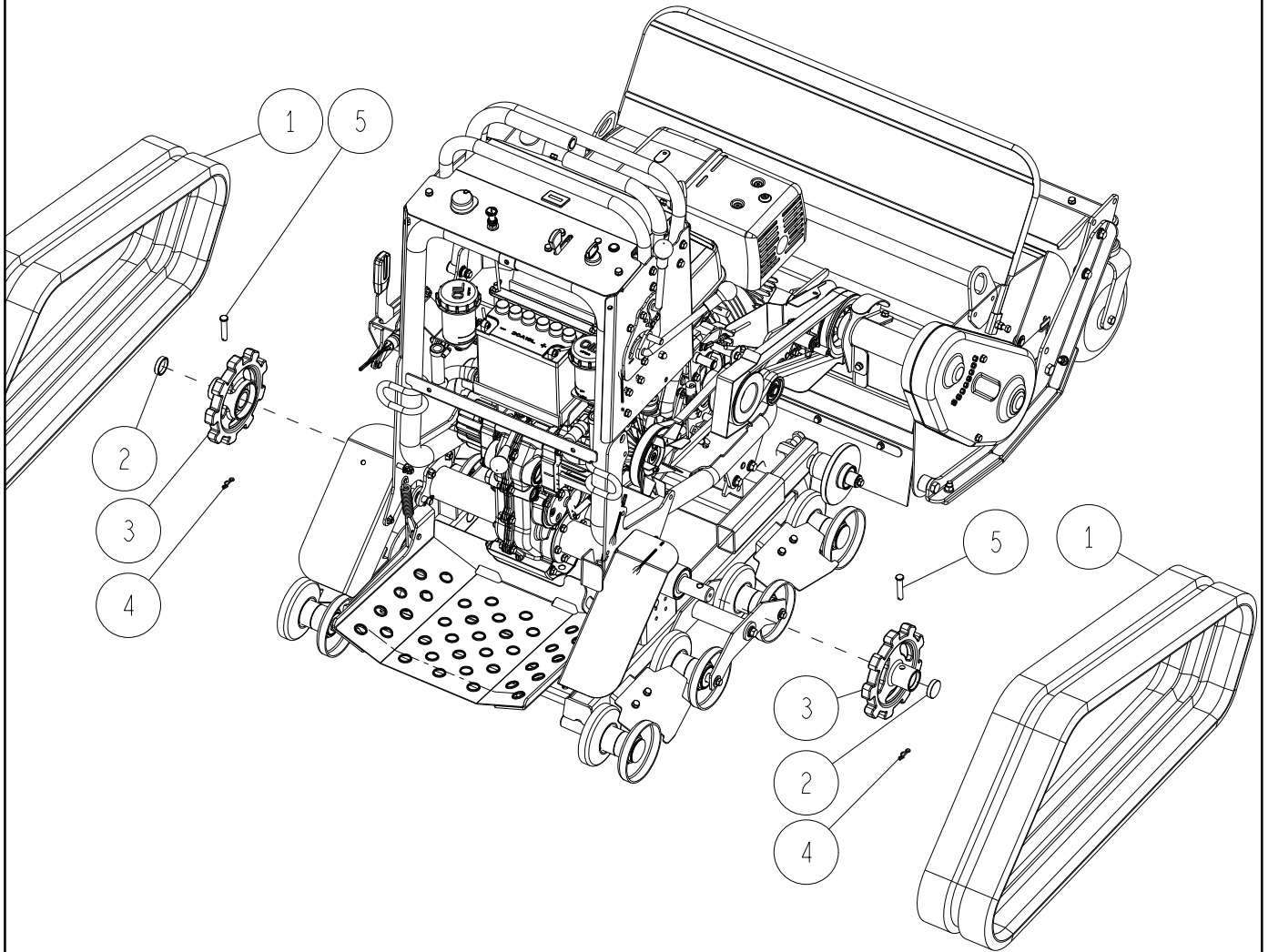
R/P) Recommend Parts

- ★★ : Highly recommended
- ★ : Recommended

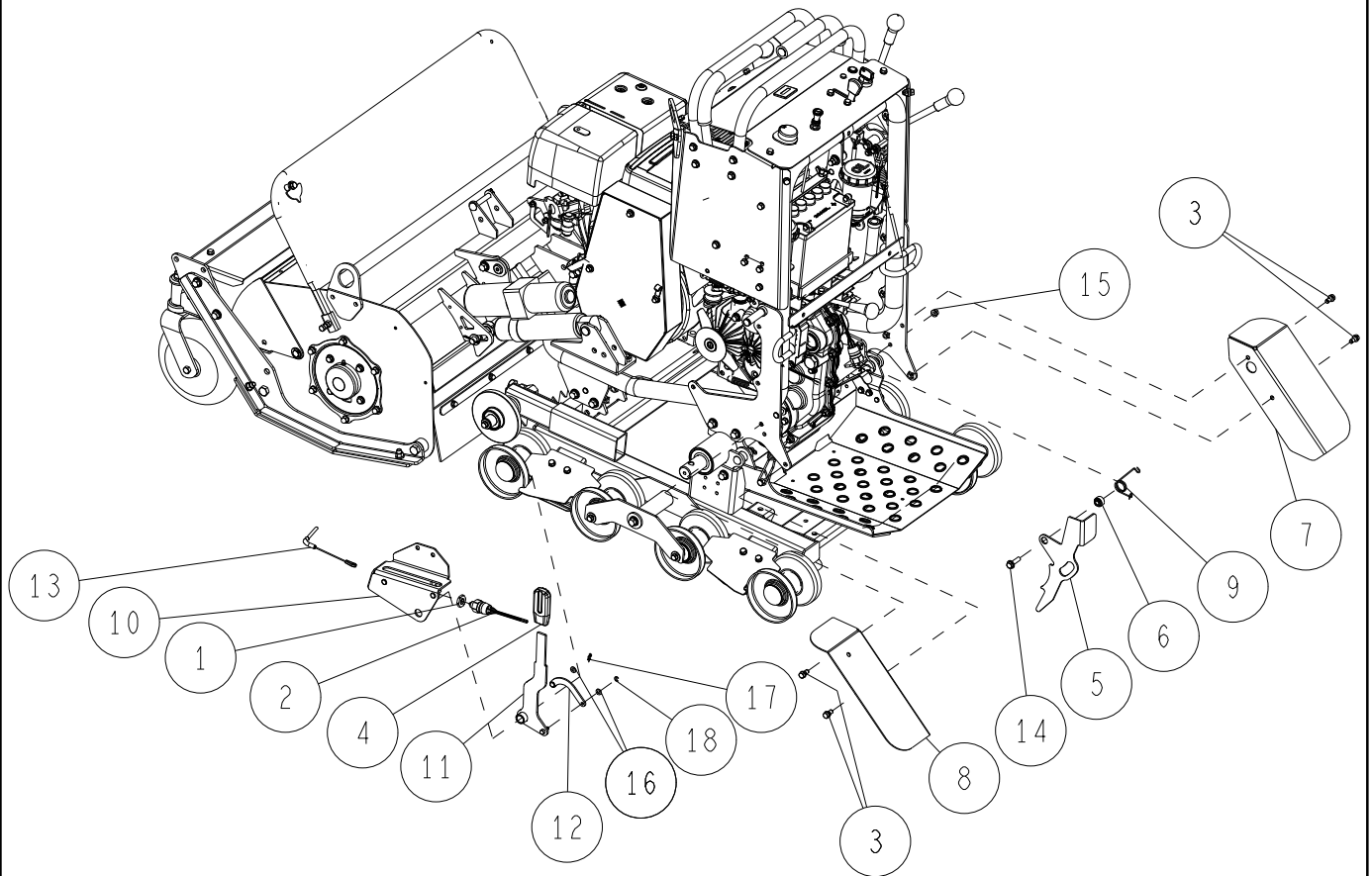
Painted Parts



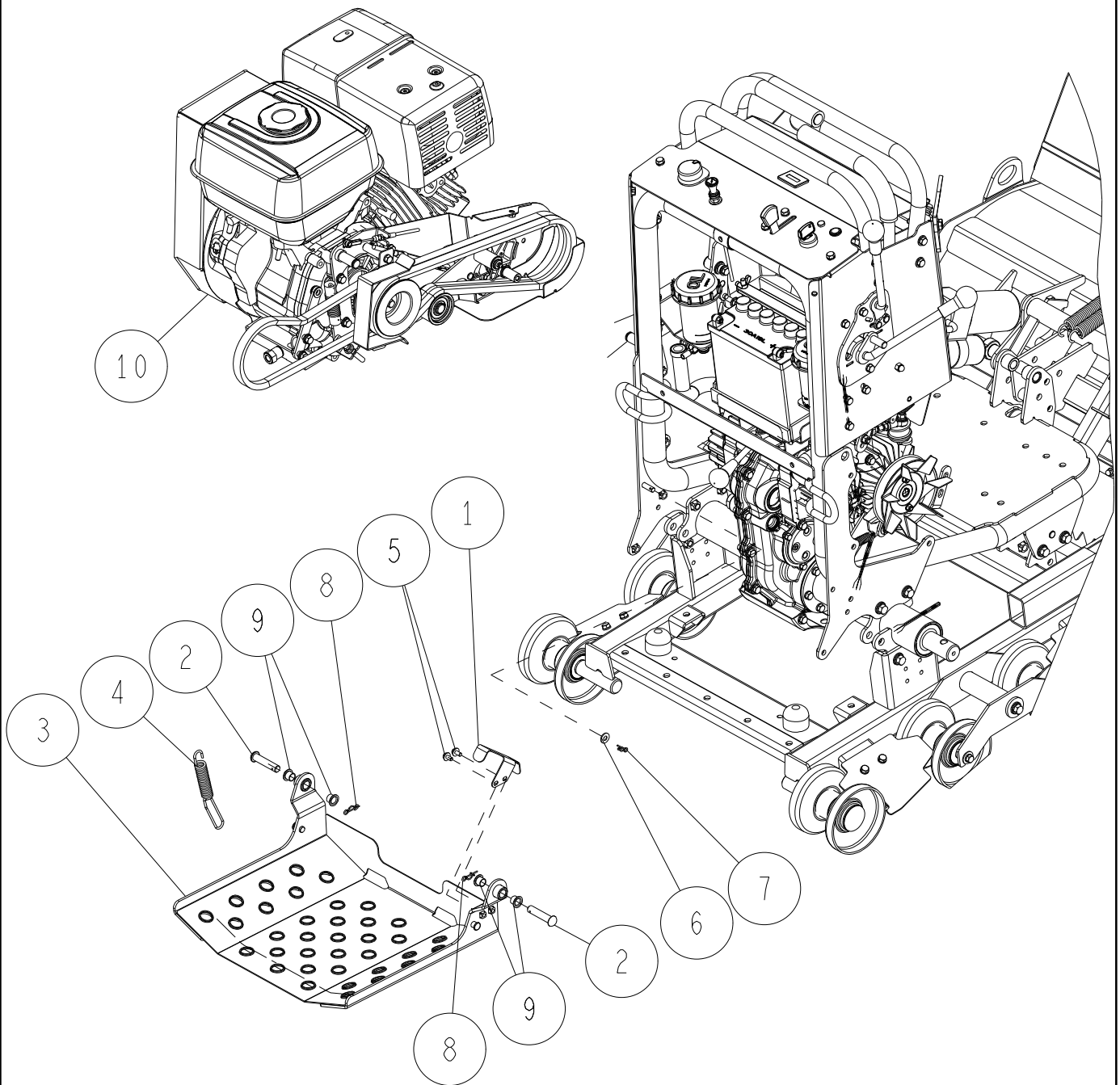
| Ref. | Parts Number   | Parts Name                       | Quantity | Remarks | R/P |
|------|----------------|----------------------------------|----------|---------|-----|
| 1    | 0031-61400     | Sponge Rubber                    | 1        |         |     |
| 2    | 0925-26310     | Stepped Bolt                     | 2        |         |     |
| 3    | 0939-1090H     | Cushion Stay (Metallic Grey)     | 1        |         |     |
| 4    | 0939-1110H     | Rear Cover (Metallic Grey)       | 1        |         |     |
| 5    | 0939-72200     | Inner Cushion                    | 1        |         |     |
| 6    | 0939-72300     | Cushion Cover                    | 1        |         |     |
| 7    | 0940-41111     | Belt Cover (A) CMP (White)       | 1        |         |     |
| 8    | 0940-42101     | Left Cover CMP (White)           | 1        |         |     |
| 9    | 0940-42301     | Belt Cover (B) CMP (White)       | 1        |         |     |
| 10   | 89-1238-080202 | Mini Hexagonal Bolt (SW) M8*20   | 4        |         |     |
| 11   | 89-1239-080202 | Mini Hexagonal Bolt (PWSW) M8*20 | 11       |         |     |



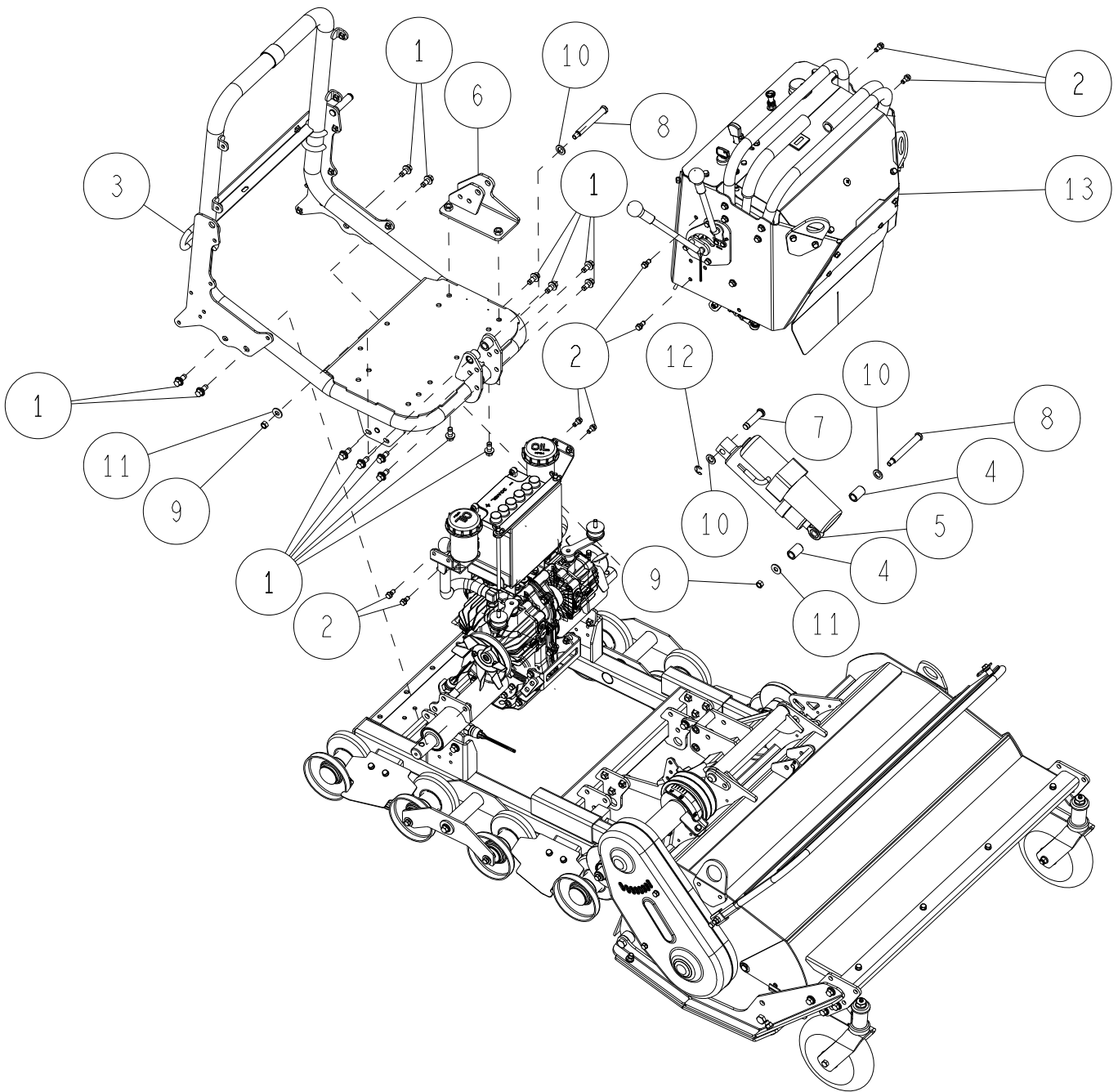
| Ref. | Parts Number   | Parts Name                     | Quantity | Remarks | R/P |
|------|----------------|--------------------------------|----------|---------|-----|
| 1    | 80-1920-401-00 | Rubber Crawler 160W*60P*35L    | 2        |         | ★★  |
| 2    | 0282-70400     | Blind Cover 35                 | 2        |         |     |
| 3    | 0940-3110H     | Drive Sprocket (Metallic Grey) | 2        |         | ★   |
| 4    | 89-2132-100002 | Snap Pin 10 (with stopper)     | 2        |         | ★★  |
| 5    | 89-2181-100502 | Flat Head Pin 10*50            | 2        |         |     |



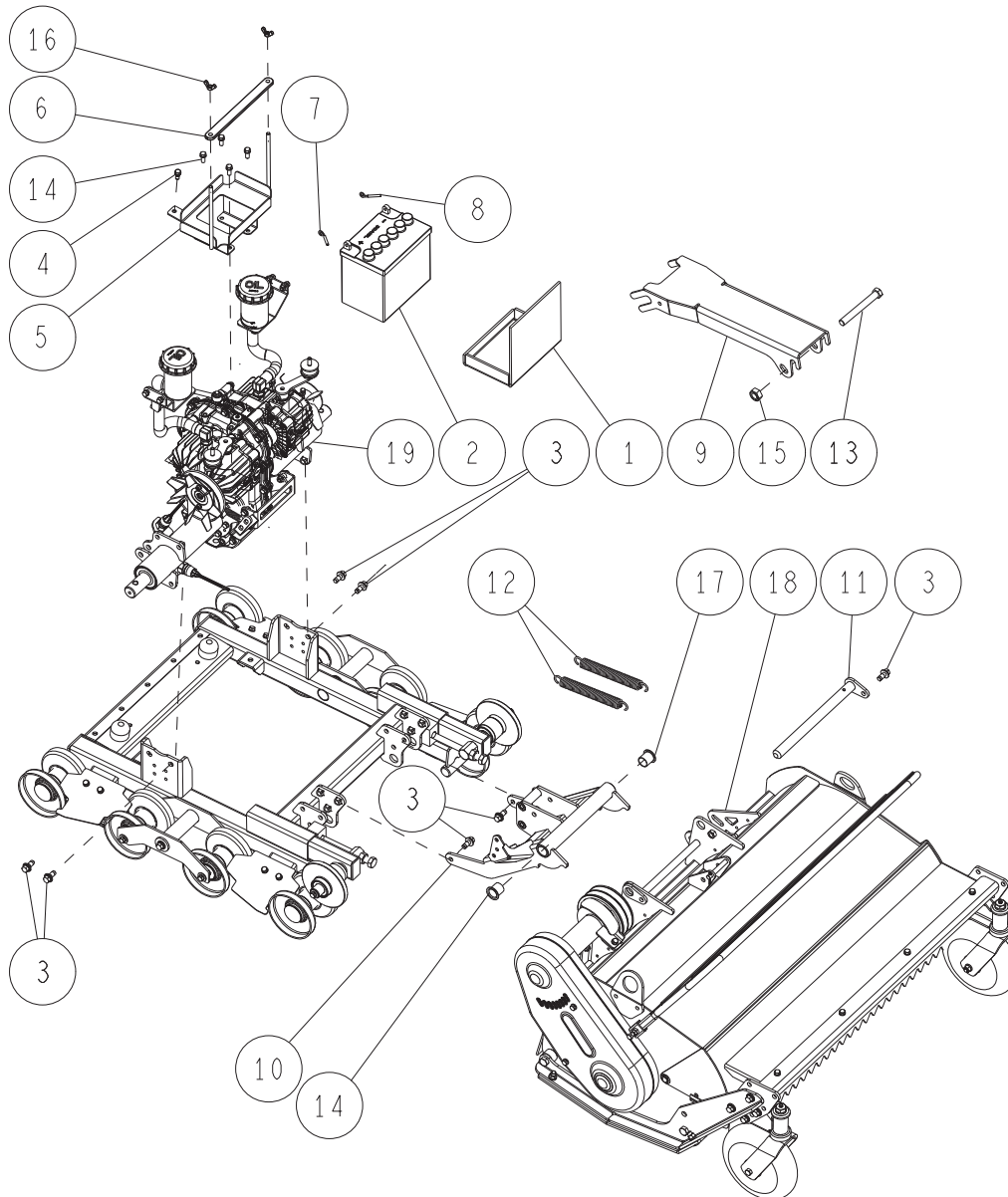
| Ref. | Parts Number   | Parts Name                            | Quantity | Remarks | R/P |
|------|----------------|---------------------------------------|----------|---------|-----|
| 1    | 0207-72800     | Switch Lock Nut                       | 1        |         |     |
| 2    | 0207-74400     | Safety Switch K17850                  | 1        |         | ★   |
| 3    | 0245-74310     | Hexagonal Bolt(SW) M8*18 7T (Meck)    | 4        |         |     |
| 4    | 0339-73500     | Arm Grip (Black)                      | 1        |         |     |
| 5    | 0939-20900     | Step Lever                            | 1        |         |     |
| 6    | 0939-21500     | Collar, Step Lever                    | 1        |         |     |
| 7    | 0939-4060H     | Right Fender (Metallic Grey)          | 1        |         |     |
| 8    | 0939-4070H     | Left Fender (Metallic Grey)           | 1        |         |     |
| 9    | 0939-70400     | Lever Spring                          | 1        |         |     |
| 10   | 0940-10101     | Parking Lever Cover CMP (White)       | 1        |         |     |
| 11   | 0940-10211     | Parking Lever CMP (White)             | 1        |         |     |
| 12   | 0940-10310     | Wire Stay CMP                         | 1        |         |     |
| 13   | 0940-70500     | Parking Brake Wire                    | 1        |         | ★   |
| 14   | 89-1253-080302 | Flange Mini Hexagonal Bolt (8T) M8*30 | 1        |         |     |
| 15   | 89-1543-080002 | Mini Hexagonal Nut (SW) M8            | 1        |         |     |
| 16   | 89-1711-060002 | Flat Washer 6                         | 2        |         |     |
| 17   | 89-2132-060002 | Snap Pin 6 (with stopper)             | 1        |         |     |
| 18   | 89-2521-000050 | E Type Ring 5                         | 1        |         |     |



| Ref. | Parts Number   | Parts Name                 | Quantity | Remarks   | R/P |
|------|----------------|----------------------------|----------|-----------|-----|
| 1    | 0939-70500     | Switch Plate               | 1        |           |     |
| 2    | 0939-71600     | Round Head Pin 12*55       | 2        |           |     |
| 3    | 0940-2010H     | Step CMP (Metallic Grey)   | 1        |           |     |
| 4    | 0940-70300     | Step Spring                | 1        |           |     |
| 5    | 89-1137-060122 | Hexagonal Bolt (PW) M6*12  | 2        |           |     |
| 6    | 89-1712-080002 | Flat Washer 8              | 1        |           |     |
| 7    | 89-2132-080002 | Snap Pin 8 (with stopper)  | 1        |           |     |
| 8    | 89-2132-100002 | Snap Pin 10 (with stopper) | 2        |           |     |
| 9    | 89-3511-012100 | DU Bush 12.10.20F          | 4        |           |     |
| 10   | Engine Part    | -                          | 1        | Page 22 ~ |     |

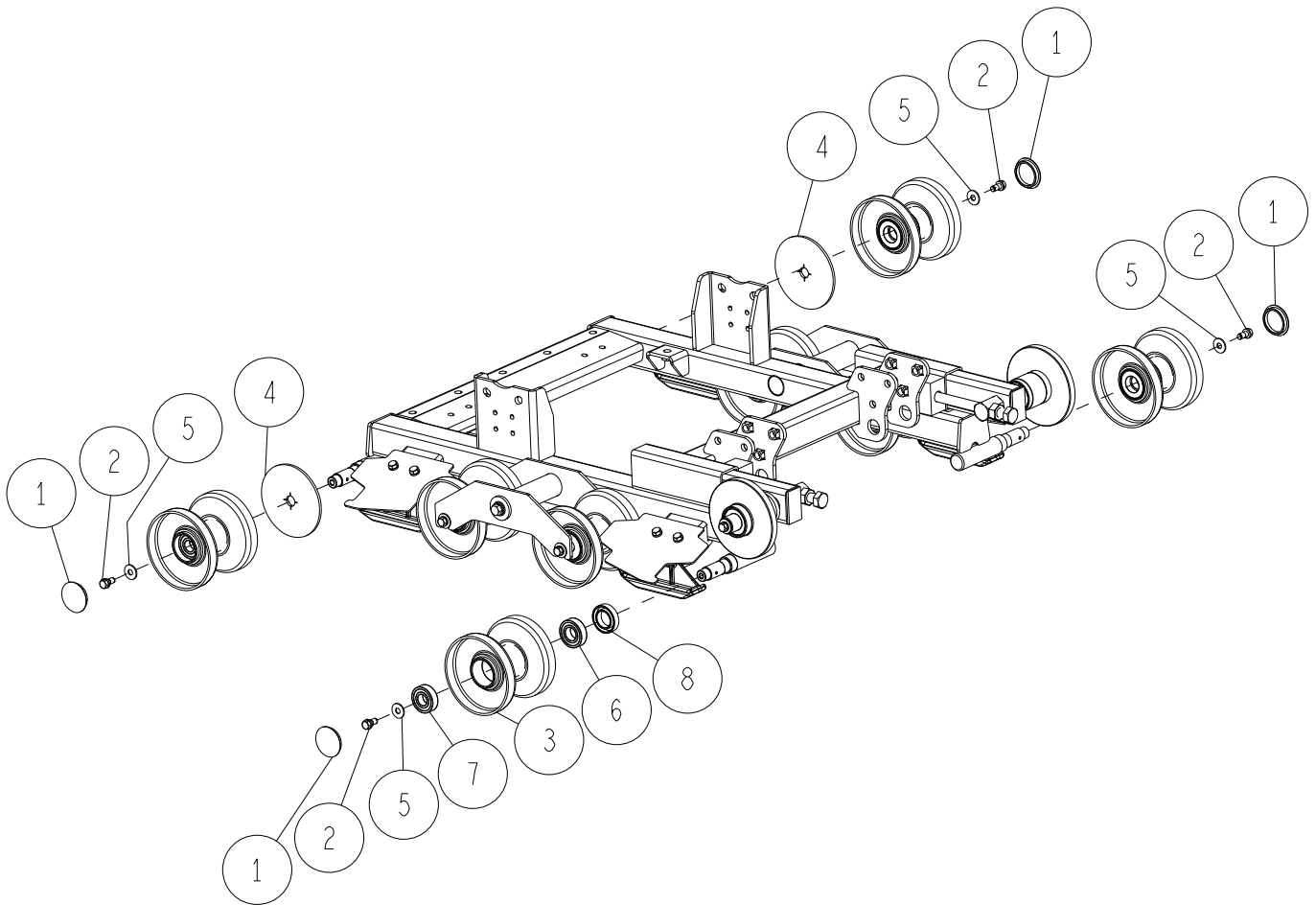


| Ref. | Parts Number   | Parts Name                              | Quantity | Remarks   | R/P |
|------|----------------|---|----------|-----------|-----|
| 1    | 0244-83200     | Mini Hexagonal Bolt (PWSW) M10*25 (7)   | 14       |           |     |
| 2    | 0245-74310     | Hexagonal Bolt (SW) M8*18 7T (Meck)     | 8        |           |     |
| 3    | 0939-2011H     | Upper Frame CMP (Metallic Grey)         | 1        |           |     |
| 4    | 0939-21600     | Collar, Cylinder Pin                    | 2        |           |     |
| 5    | 0939-72100     | Mini-Motion Package                     | 1        |           | ★   |
| 6    | 0940-2020H     | Mini-Motion Package Stay CMP (Metallic) | 1        |           |     |
| 7    | 0940-20300     | Mini-Motion Package Link Pin            | 1        |           |     |
| 8    | 0940-21800     | Mini-Motion Package Link Bolt           | 2        |           |     |
| 9    | 89-1561-100002 | Mini Hexagonal U Nut M10                | 2        |           |     |
| 10   | 89-1711-140002 | Flat Washer 14                          | 3        |           |     |
| 11   | 89-1713-100002 | Flat Washer 10 (large)                  | 2        |           |     |
| 12   | 89-2521-000120 | E Type Ring 12                          | 1        |           |     |
| 13   | Handle Part    | -                                       | 1        | Page 10 ~ |     |

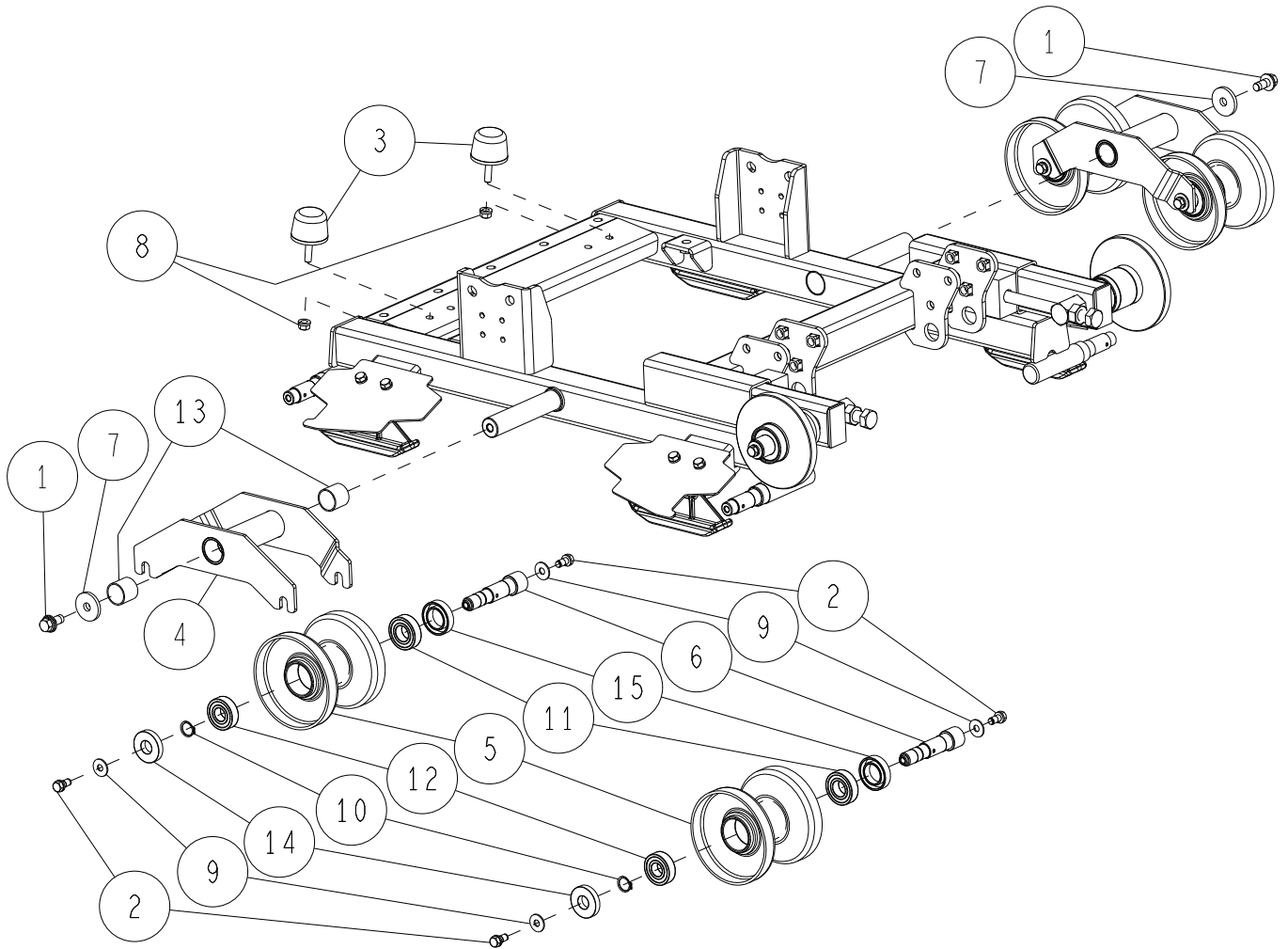


| Ref. | Parts Number      | Parts Name                            | Quantity | Remarks   | R/P |
|------|-------------------|---------------------------------------|----------|-----------|-----|
| 1    | 80-1482-971-00    | Cushion Rubber (Battery)              | 1        |           |     |
| 2    | -                 | Battery (32A-19L)                     | 1        |           |     |
| 3    | 0244-83200        | Mini Hexagonal Bolt (PWSW) M10*25 (7) | 7        |           |     |
| 4    | 0245-74310        | Hexagonal Bolt(SW) M8*18 7T (Meck)    | 1        |           |     |
| 5    | 0939-2060H        | Battery Box CMP (Metallic Grey)       | 1        |           |     |
| 6    | 0939-20700        | Battery Holder                        | 1        |           |     |
| 7    | 0939-71400        | Battery Cable (+)                     | 1        |           |     |
| 8    | 0939-71500        | Battery Cable (-)                     | 1        |           |     |
| 9    | 0940-2210H        | Stopper CMP (Metallic Grey)           | 1        |           |     |
| 10   | 0940-5010H        | Rotary Stay CMP (Metallic Grey)       | 1        |           |     |
| 11   | 0940-5020G        | Blade Shaft CMP (Green)               | 1        |           |     |
| 12   | 0940-70400        | Rotary Spring                         | 2        |           |     |
| 13   | 89-1213-100802    | Mini Hexagonal Bolt (8T) M10*80       | 1        |           |     |
| 14   | 89-1238-080202    | Mini Hexagonal Bolt (SW) M8*20        | 4        |           |     |
| 15   | 89-1551-100002    | Hexagonal U Nut M10                   | 1        |           |     |
| 16   | 89-1642-080002    | Butterfly Nut M8                      | 2        |           |     |
| 17   | 89-3511-022250    | DU Bush 22.25.33F                     | 2        |           |     |
| 18   | Rotary Part       | -                                     | 1        | Page 15 ~ |     |
| 19   | Transmission Part | -                                     | 1        | Page 27 ~ |     |

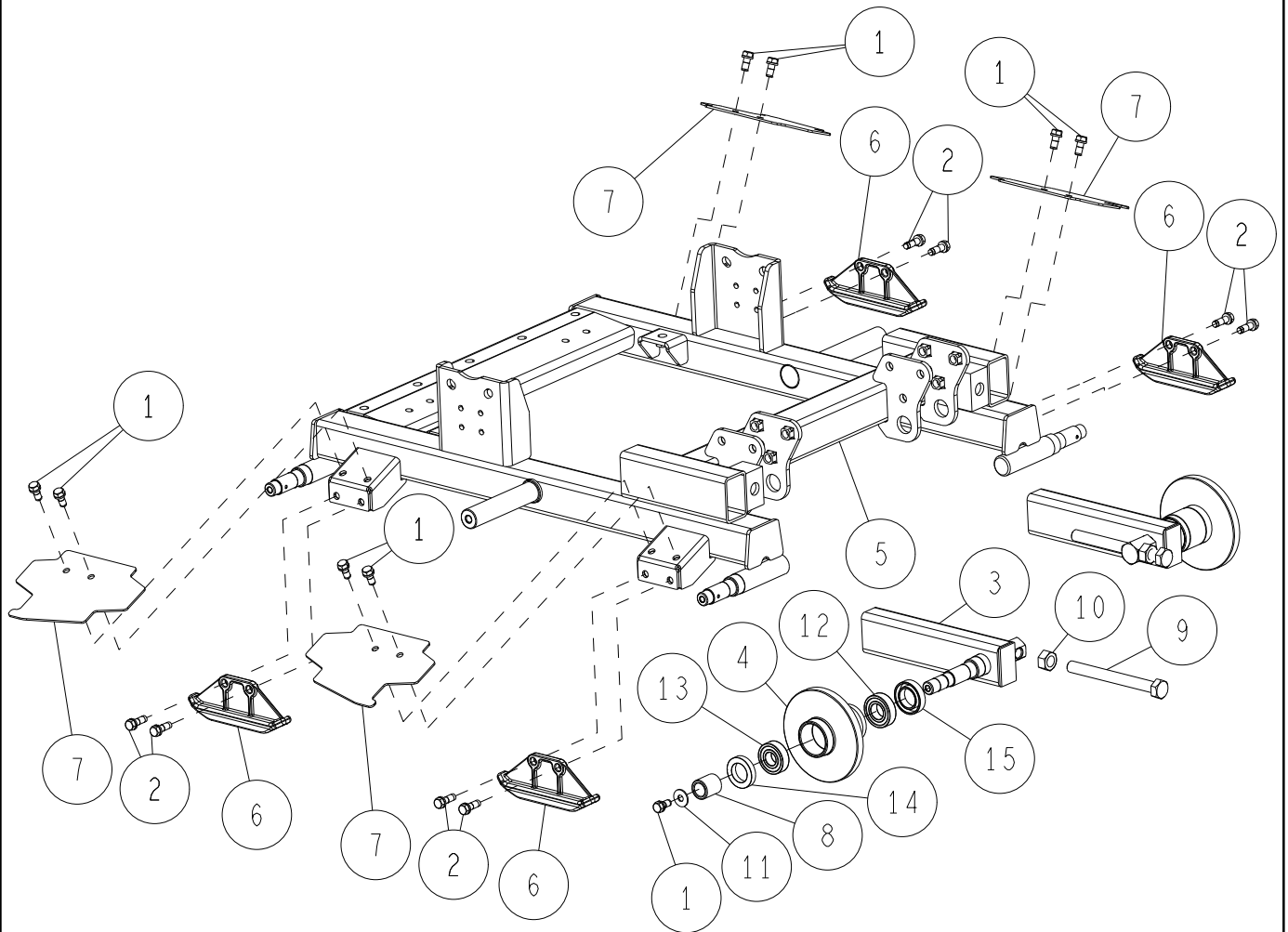




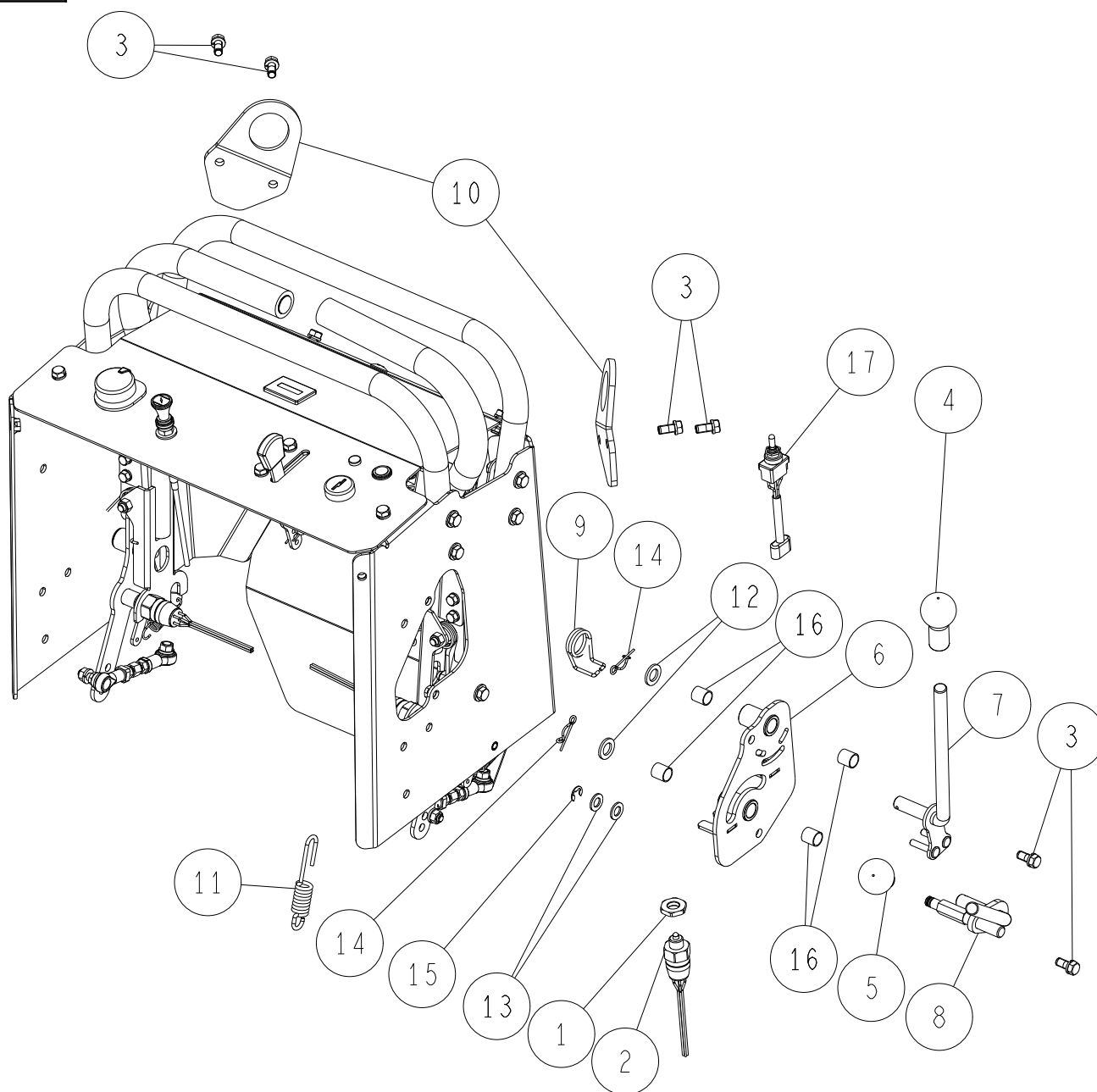
| Ref. | Parts Number   | Parts Name                         | Quantity | Remarks | R/P |
|------|----------------|------------------------------------|----------|---------|-----|
| 1    | 0245-70100     | Seal Cap                           | 4        |         |     |
| 2    | 0245-74310     | Hexagonal Bolt(SW) M8*18 7T (Meck) | 4        |         |     |
| 3    | 0939-3020H     | Turn Wheel CMP (Metallic Grey)     | 4        |         | ★   |
| 4    | 0940-70200     | Turn Wheel Cover                   | 2        |         |     |
| 5    | 89-1713-080002 | Flat Washer 8 (large)              | 4        |         |     |
| 6    | 89-3115-060044 | Bearing 6004 2RS                   | 4        |         |     |
| 7    | 89-3115-062034 | Bearing 6203 2RS                   | 4        |         |     |
| 8    | 89-5121-254210 | Oil Seal UE 25.42.10               | 4        |         |     |



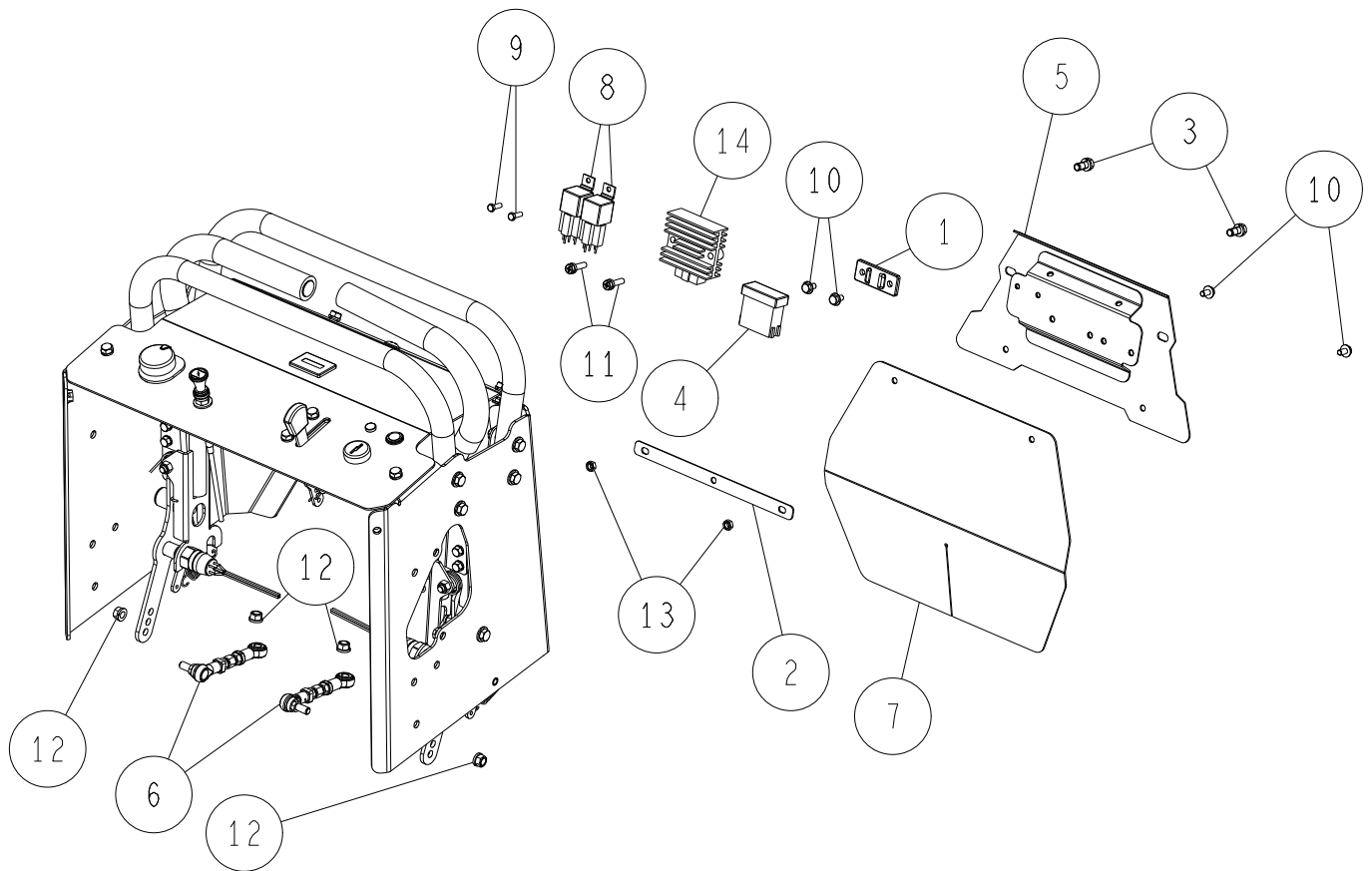
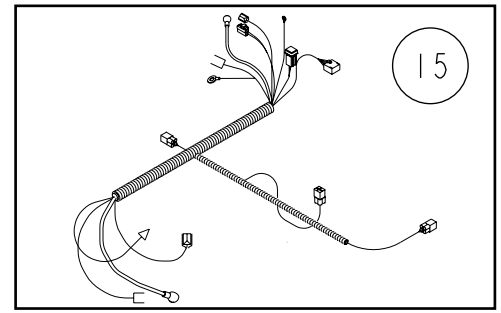
| Ref. | Parts Number   | Parts Name                            | Quantity | Remarks | R/P |
|------|----------------|---------------------------------------|----------|---------|-----|
| 1    | 0244-83200     | Mini Hexagonal Bolt (PWSW) M10*25 (7) | 2        |         |     |
| 2    | 0245-74310     | Hexagonal Bolt(SW) M8*18 7T (Meck)    | 8        |         |     |
| 3    | 0334-85200     | Stopper Rubber                        | 2        |         |     |
| 4    | 0914-3030H     | Turn Wheel Setting (Metallic Grey)    | 2        |         |     |
| 5    | 0939-3020H     | Turn Wheel CMP (Metallic Grey)        | 4        |         | ★   |
| 6    | 0940-30600     | Equalizer Axle                        | 4        |         |     |
| 7    | 83-1610-321-00 | Washer 10*36*4.5                      | 2        |         |     |
| 8    | 89-1543-080002 | Mini Hexagonal Nut (SW) M8            | 2        |         |     |
| 9    | 89-1713-080002 | Flat Washer 8 (large)                 | 8        |         |     |
| 10   | 89-2511-000170 | Snap Ring (S17)                       | 4        |         |     |
| 11   | 89-3115-060044 | Bearing 6004 2RS                      | 4        |         |     |
| 12   | 89-3115-062034 | Bearing 6203 2RS                      | 4        |         |     |
| 13   | 89-3510-025250 | DU Bush 25.25                         | 4        |         |     |
| 14   | 89-5121-174008 | Oil Seal UE 17.40.8                   | 4        |         |     |
| 15   | 89-5121-254210 | Oil Seal UE 25.42.10                  | 4        |         |     |



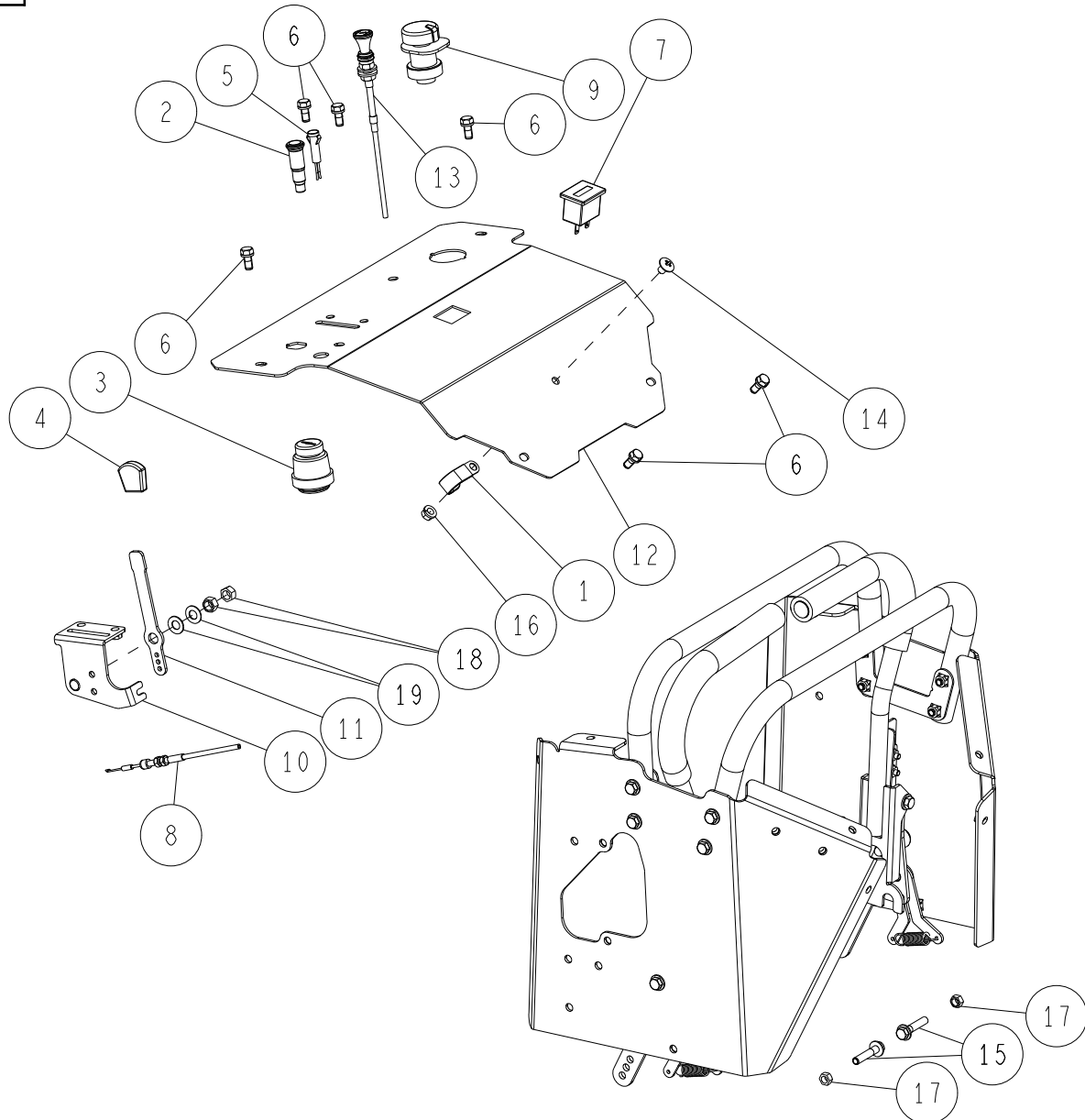
| Ref. | Parts Number   | Parts Name                               | Quantity | Remarks | R/P |
|------|----------------|--|----------|---------|-----|
| 1    | 0245-74310     | Hexagonal Bolt(SW) M8*18 7T (Meck)       | 10       |         |     |
| 2    | 0298-72110     | Hexagonal Bolt (SW) M8*25 (7T)           | 8        |         |     |
| 3    | 0334-3060H     | Induction Ring Attachment CMP (Metallic) | 2        |         |     |
| 4    | 0939-3041H     | Idle Roller CMP (Metallic Grey)          | 2        |         |     |
| 5    | 0940-3010H     | Crawler Frame CMP (Metallic Grey)        | 1        |         |     |
| 6    | 0940-3020H     | Stone Guard (Metallic Grey)              | 4        |         |     |
| 7    | 0940-30300     | Turn Wheel Scraper                       | 4        |         |     |
| 8    | 0940-30400     | Idle Roller Collar                       | 2        |         |     |
| 9    | 89-1111-141407 | Hexagonal Bolt M14*140                   | 2        |         |     |
| 10   | 89-1511-140042 | Hexagonal Nut M14                        | 2        |         |     |
| 11   | 89-1713-080002 | Flat Washer 8 (large)                    | 2        |         |     |
| 12   | 89-3115-060044 | Bearing 6004 2RS                         | 2        |         |     |
| 13   | 89-3115-062034 | Bearing 6203 2RS                         | 2        |         |     |
| 14   | 89-5121-254008 | Oil Seal UE 25.40.8                      | 2        |         |     |
| 15   | 89-5121-254210 | Oil Seal UE 25.42.10                     | 2        |         |     |



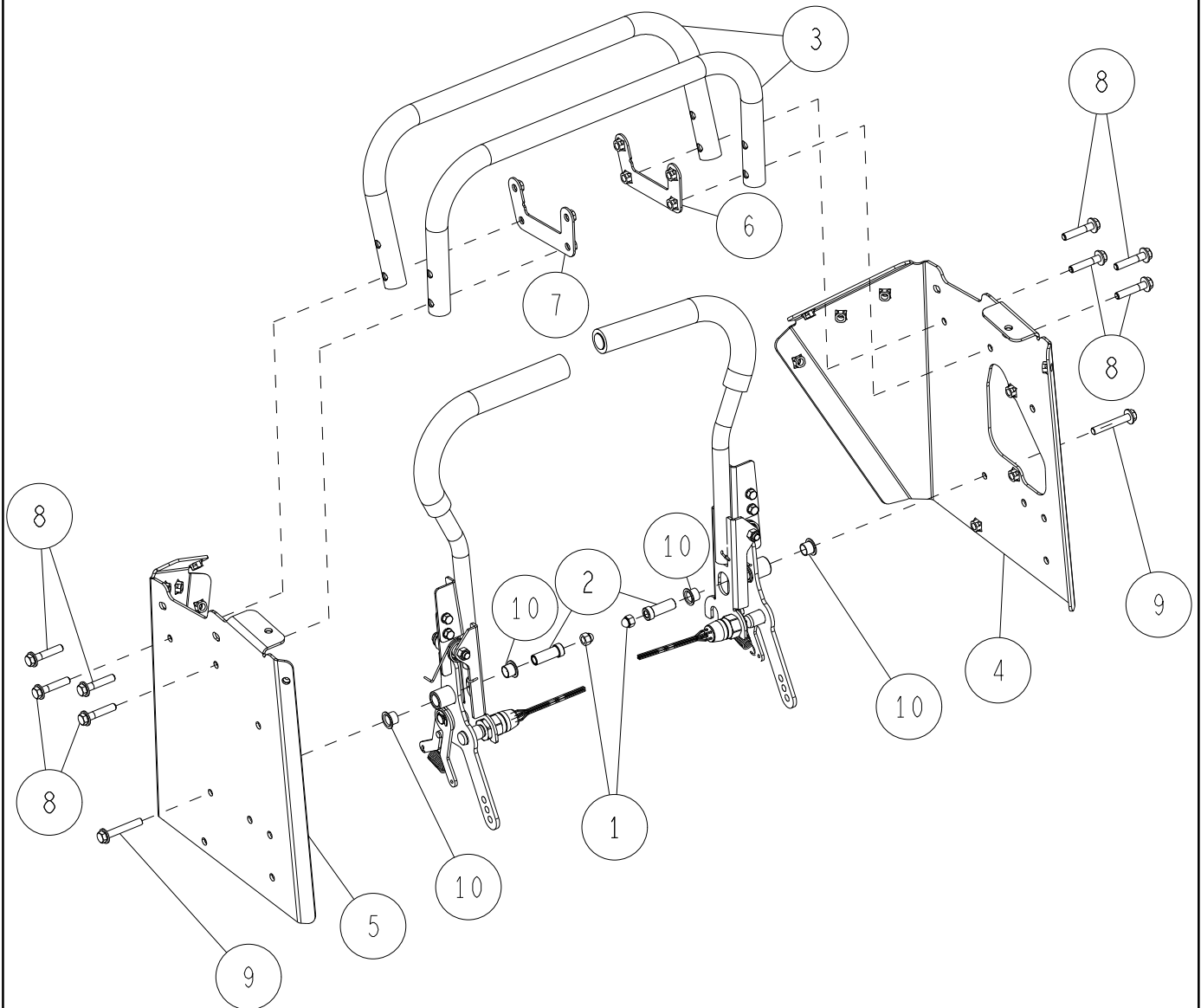
| Ref. | Parts Number   | Parts Name                         | Quantity | Remarks | R/P |
|------|----------------|------------------------------------|----------|---------|-----|
| 1    | 0207-72800     | Switch Lock Nut                    | 1        |         |     |
| 2    | 0207-74400     | Safety Switch K17850               | 1        |         | ★   |
| 3    | 0245-74310     | Hexagonal Bolt(SW) M8*18 7T (Meck) | 6        |         |     |
| 4    | 0253-79100     | Lever Grip 12.7                    | 1        |         |     |
| 5    | 0915-70200     | Grip, Rubber 12.7                  | 1        |         |     |
| 6    | 0939-1120H     | Lever Bracket CMP (Metallic Grey)  | 1        |         |     |
| 7    | 0939-11300     | Plow Height Adjusting Lever CMP    | 1        |         |     |
| 8    | 0939-11400     | Driving Clutch Lever CMP           | 1        |         |     |
| 9    | 0939-70200     | Lever Return Spring                | 1        |         |     |
| 10   | 0940-1140H     | Hook Plate (Metallic Grey)         | 2        |         |     |
| 11   | 0940-70100     | Clutch Spring                      | 1        |         |     |
| 12   | 83-1565-329-02 | Washer 13*22*2.3                   | 2        |         |     |
| 13   | 89-1711-100002 | Flat Washer 10*18*1.6              | 2        |         |     |
| 14   | 89-2132-120002 | Snap Pin 12 (with stopper)         | 2        |         |     |
| 15   | 89-2521-000080 | E Type Ring 8                      | 1        |         |     |
| 16   | 89-3510-013150 | DU Bush 13.15                      | 4        |         |     |
| 17   | 0939-71300     | Toggle Switch                      | 1        |         | ★   |



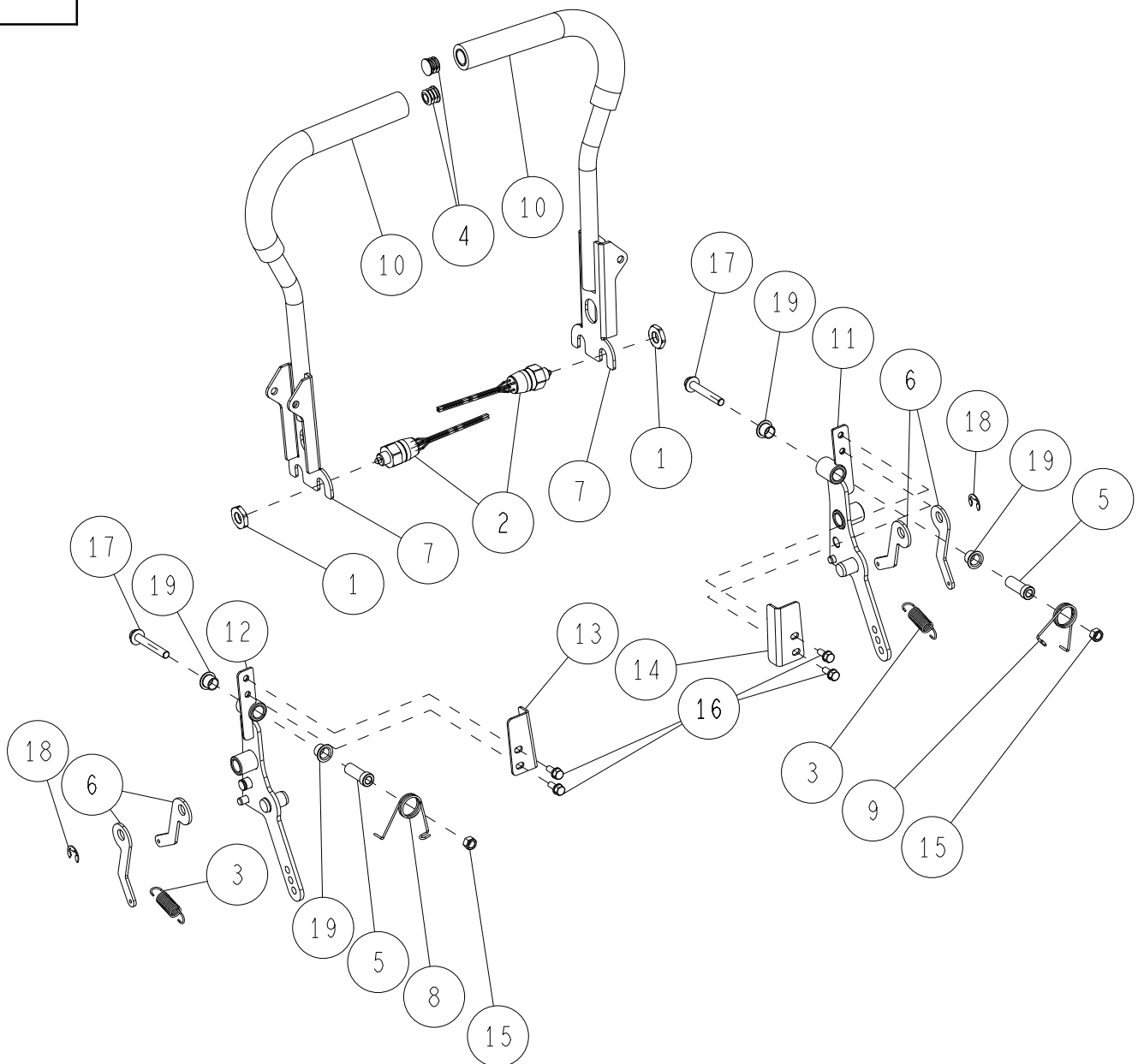
| Ref. | Parts Number   | Parts Name                             | Quantity | Remarks           | R/P |
|------|----------------|--|----------|-------------------|-----|
| 1    | 0207-79200     | Fuse Box Bracket                       | 1        |                   |     |
| 2    | 0208-73110     | Flapper Holder                         | 1        |                   |     |
| 3    | 0245-74310     | Hexagonal Bolt(SW) M8*18 7T (Meck)     | 2        |                   |     |
| 4    | -              | Fuse Box                               | 1        | Assy with Harness |     |
| 5    | 0939-1040G     | Front Cover CMP (Green)                | 1        |                   |     |
| 6    | 0939-12400     | Shift Rod ASSY                         | 2        |                   |     |
| 7    | 0939-12500     | Droplet Prevention Flapper             | 1        |                   |     |
| 8    | -              | Relay                                  | 2        | Assy with Harness |     |
| 9    | 89-1113-050152 | Hexagonal Bolt (8T) M5*15              | 2        |                   |     |
| 10   | 89-1137-060122 | Hexagonal Bolt (PW) M6*12              | 4        |                   |     |
| 11   | 89-1144-060253 | Hexagonal Bolt with Cross Hole (PW.SW) | 2        |                   |     |
| 12   | 89-1543-080002 | Mini Hexagonal Nut (SW) M8             | 4        |                   |     |
| 13   | 89-1551-060002 | Hexagonal U Nut M6                     | 2        |                   |     |
| 14   | -              | Regulator                              | 1        | Engine Parts      |     |
| 15   | 0939-71200     | Wire Harness Assy                      | 1        |                   | ★   |



| Ref. | Parts Number   | Parts Name                                 | Quantity | Remarks | R/P |
|------|----------------|--|----------|---------|-----|
| 1    | 80-1792-988-00 | Harness Clip 8                             | 1        |         |     |
| 2    | 0207-79300     | Pilot Lamp                                 | 1        |         |     |
| 3    | 0207-79700     | Key Switch (NMA03-A020)                    | 1        |         |     |
| 4    | 0215-70600     | Lever Grip (Red)                           | 1        |         |     |
| 5    | 0244-70400     | Lamp, Caution for Engine Oil               | 1        |         |     |
| 6    | 0245-74310     | Hexagonal Bolt(SW) M8*18 7T (Meck)         | 6        |         |     |
| 7    | 0267-70600     | Hour Meter (Digital)                       | 1        |         |     |
| 8    | 0310-70100     | Throttle Wire (RM830)                      | 1        |         | ★★  |
| 9    | 0336-70200     | Push Switch Assy                           | 1        |         | ★   |
| 10   | 0939-1080H     | Throttle Lever Bracket CMP (Metallic Grey) | 1        |         |     |
| 11   | 0939-12100     | Throttle Lever                             | 1        |         |     |
| 12   | 0940-1130H     | Control Panel (Metallic Grey)              | 1        |         |     |
| 13   | 0940-70600     | Choke Wire                                 | 1        |         | ★   |
| 14   | 89-1159-080122 | Truss Mini Screw M8*12                     | 1        |         |     |
| 15   | 89-1253-080402 | Flange Mini Hexagonal Bolt (8T) M8*40      | 2        |         |     |
| 16   | 89-1543-080002 | Mini Hexagonal Nut (SW) M8                 | 1        |         |     |
| 17   | 89-1611-080042 | Mini Hexagonal Nut M8                      | 2        |         |     |
| 18   | 89-1611-100042 | Mini Hexagonal Nut M10                     | 2        |         |     |
| 19   | 89-1852-100001 | Belleville Spring H10                      | 2        |         |     |

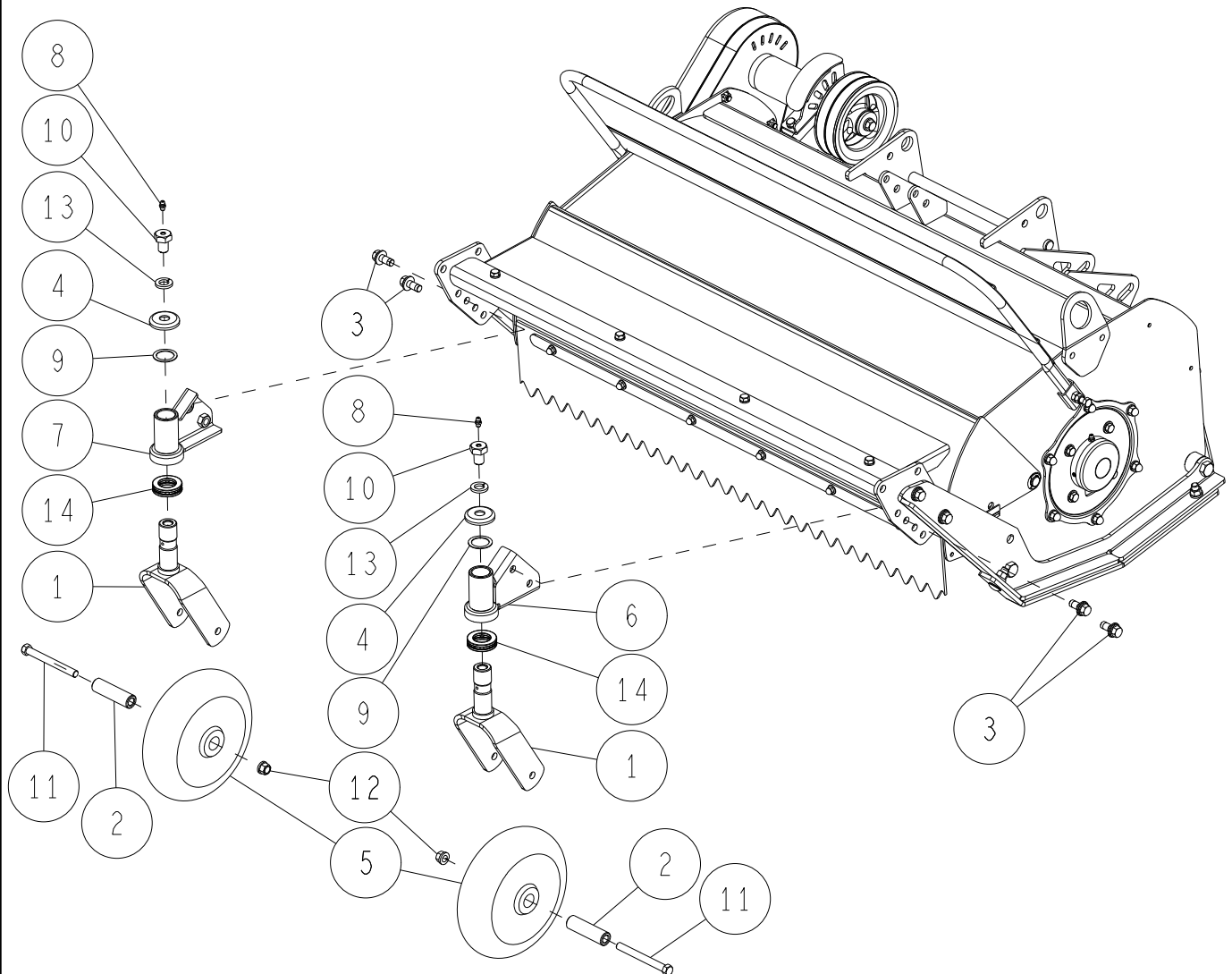


| Ref. | Parts Number   | Parts Name                             | Quantity | Remarks | R/P |
|------|----------------|--|----------|---------|-----|
| 1    | 0208-31000     | Mini Hexagonal U Cap Nut M8 (Meck)     | 2        |         |     |
| 2    | 0268-10900     | Change Lever Inner Collar              | 2        |         |     |
| 3    | 0939-1050H     | Handle Pipe (Metallic Grey)            | 2        |         |     |
| 4    | 0940-11101     | Control Panel (R) CMP (White)          | 1        |         |     |
| 5    | 0940-11201     | Control Panel (L) CMP (White)          | 1        |         |     |
| 6    | 0940-1150H     | Handle Lever Guide (R) CMP (Metallic G | 1        |         |     |
| 7    | 0940-1160H     | Handle Lever Guide (L) CMP (Metallic G | 1        |         |     |
| 8    | 89-1253-080402 | Flange Mini Hexagonal Bolt (8T) M8*40  | 8        |         |     |
| 9    | 89-1253-080502 | Flange Mini Hexagonal Bolt (8T) M8*50  | 2        |         |     |
| 10   | 89-3511-012100 | DU Bush 12.10.20F                      | 4        |         |     |

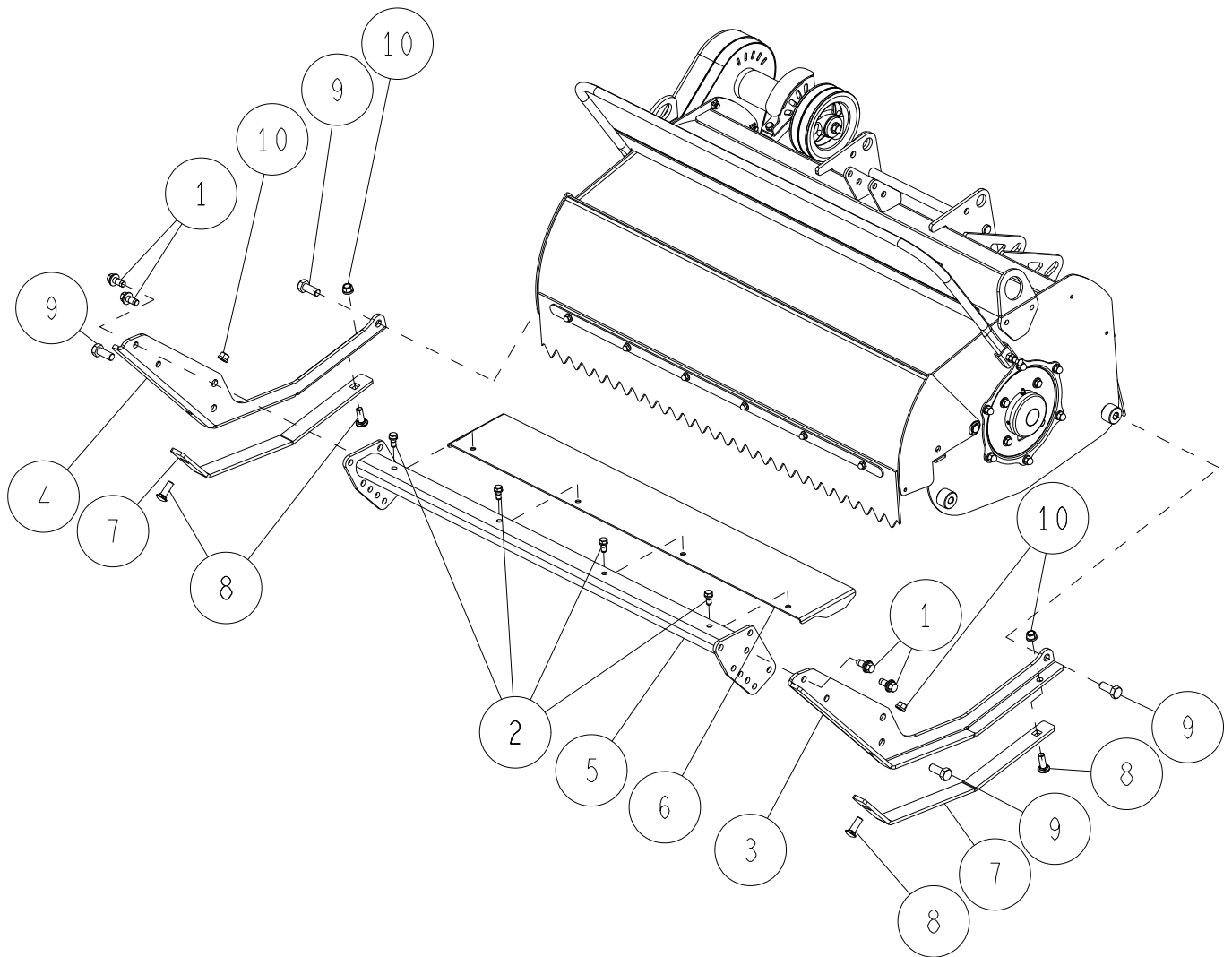


| Ref. | Parts Number   | Parts Name                            | Quantity | Remarks | R/P |
|------|----------------|---------------------------------------|----------|---------|-----|
| 1    | 0207-72800     | Switch Lock Nut                       | 2        |         |     |
| 2    | 0207-74400     | Safety Switch K17850                  | 2        |         | ★   |
| 3    | 0208-71800     | Spring, Neutral                       | 2        |         |     |
| 4    | 0254-70700     | Pipe Cap 17                           | 2        |         |     |
| 5    | 0268-10900     | Change Lever Inner Collar             | 2        |         |     |
| 6    | 0312-12310     | Neutral Arm                           | 4        |         |     |
| 7    | 0364-10100     | Control Lever CMP                     | 2        |         |     |
| 8    | 0364-71800     | Return Spring (L)                     | 1        |         |     |
| 9    | 0364-71900     | Return Spring (R)                     | 1        |         |     |
| 10   | 0939-11500     | Handle Grip 280 (Sponge)              | 2        |         |     |
| 11   | 0940-12100     | Control Lever (R) CMP                 | 1        |         |     |
| 12   | 0940-12200     | Control Lever (L) CMP                 | 1        |         |     |
| 13   | 0940-12300     | Lever Stopper (L)                     | 1        |         |     |
| 14   | 0940-12400     | Lever Stopper (R)                     | 1        |         |     |
| 15   | 89-1561-080002 | Mini Hexagonal U Nut M8               | 2        |         |     |
| 16   | 89-1138-060162 | Hexagonal Bolt (SW) M6*16             | 4        |         |     |
| 17   | 89-1253-080552 | Flange Mini Hexagonal Bolt (8T) M8*55 | 2        |         |     |
| 18   | 89-2521-000100 | E Type Ring 10                        | 2        |         |     |
| 19   | 89-3511-012100 | DU Bush 12.10.20F                     | 4        |         |     |

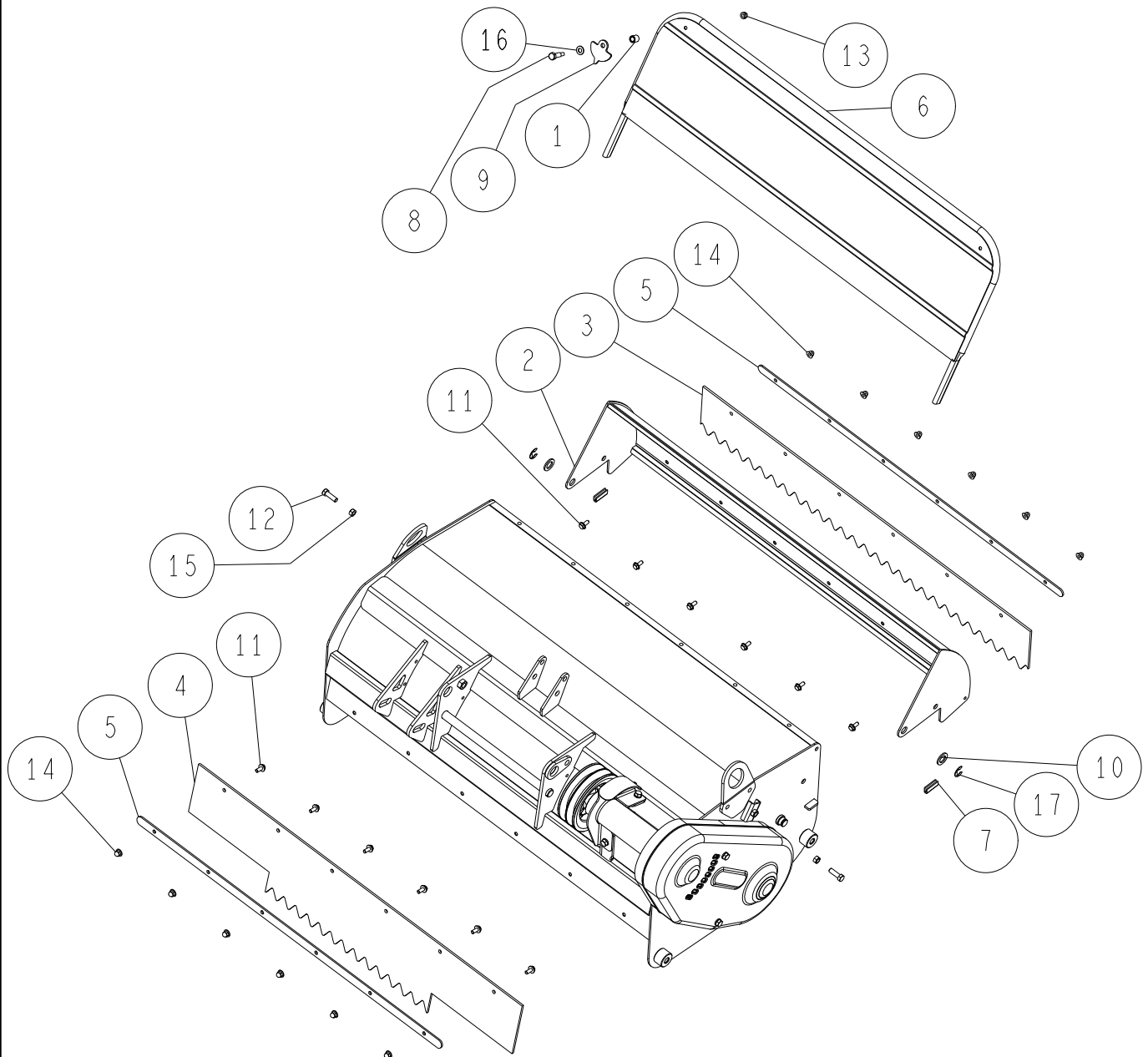




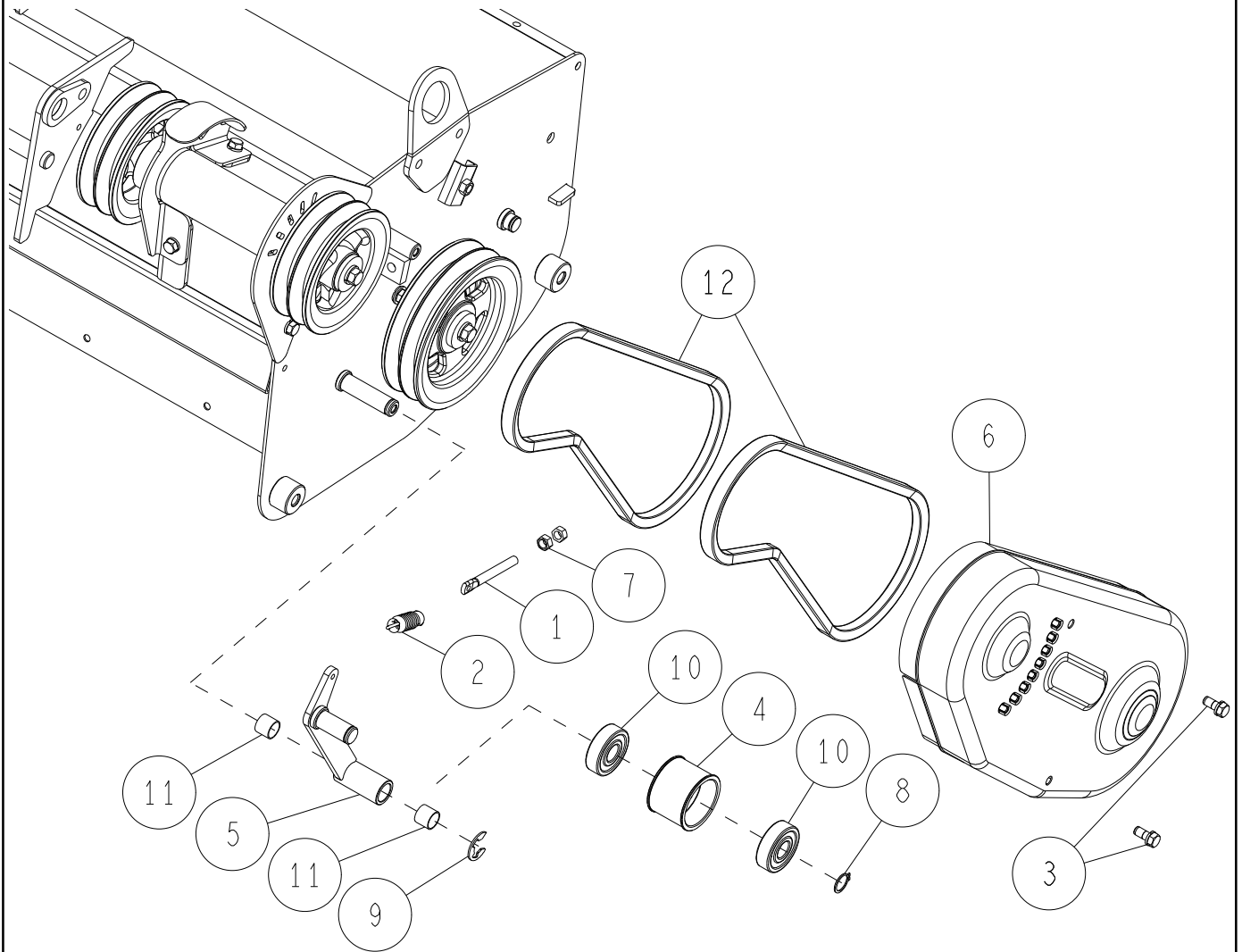
| Ref. | Parts Number   | Parts Name                              | Quantity | Remarks | R/P |
|------|----------------|---|----------|---------|-----|
| 1    | 80-1614-725-2G | Front Wheel Fork (Green)                | 2        |         |     |
| 2    | 80-1614-726-00 | Front Wheel Collar                      | 2        |         |     |
| 3    | 0244-83200     | Mini Hexagonal Bolt (PWSW) M10*25 (7    | 4        |         |     |
| 4    | 0256-60700     | Dust Cover                              | 2        |         |     |
| 5    | 0285-73100     | Front Wheel (G200N-20)                  | 2        |         |     |
| 6    | 0940-6110H     | Front Wheel Stay (L) CMP (Metallic Grey | 1        |         |     |
| 7    | 0940-6120H     | Front Wheel Stay (R) CMP (Metallic Grey | 1        |         |     |
| 8    | 83-1415-975-00 | Grease Nipple M6                        | 2        |         |     |
| 9    | 83-1783-376-00 | Thrust Washer 25*34*1.0                 | 2        |         |     |
| 10   | 84-1783-791-00 | Grease Nipple Bolt M14                  | 2        |         |     |
| 11   | 89-1211-100952 | Mini Hexagonal Bolt M10*95              | 2        |         |     |
| 12   | 89-1543-100002 | Mini Hexagonal Nut (SW) M10             | 2        |         |     |
| 13   | 89-1750-140002 | Spring Washer 14                        | 2        |         |     |
| 14   | 89-3370-051105 | Thrust Bearing 51105                    | 2        |         |     |



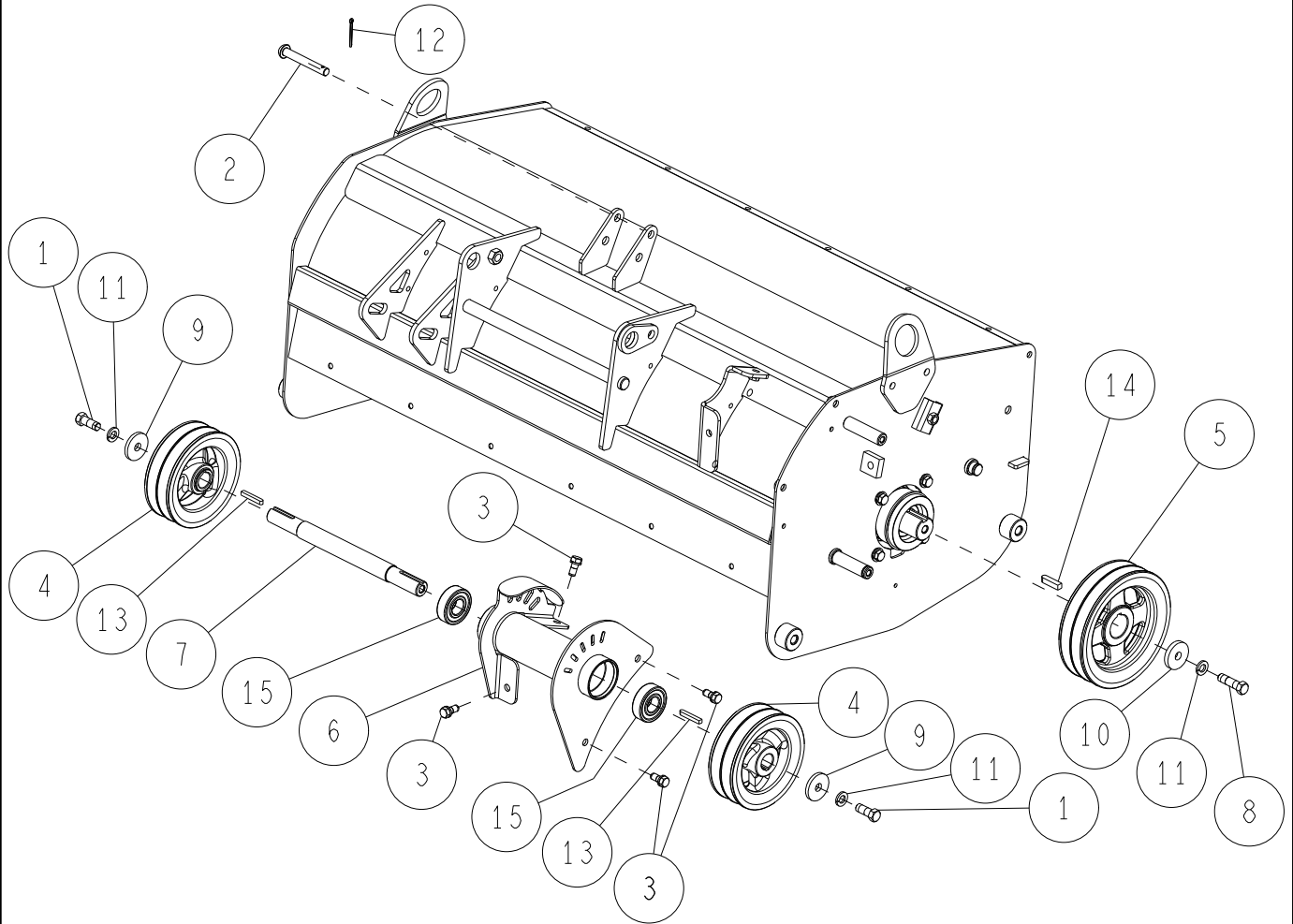
| Ref. | Parts Number   | Parts Name                           | Quantity | Remarks | R/P |
|------|----------------|--------------------------------------|----------|---------|-----|
| 1    | 0244-83200     | Mini Hexagonal Bolt (PWSW) M10*25 (7 | 4        |         |     |
| 2    | 0245-74310     | Hexagonal Bolt(SW) M8*18 7T (Meck)   | 4        |         |     |
| 3    | 0940-6020H     | Skid (L) (Metallic Grey)             | 1        |         |     |
| 4    | 0940-6030H     | Skid (R) (Metallic Grey)             | 1        |         |     |
| 5    | 0940-6040H     | Front Guard CMP (Metallic Grey)      | 1        |         |     |
| 6    | 0940-60501     | Front Top Cover CMP (White)          | 1        |         |     |
| 7    | 0940-6060H     | Skid Support (Metallic Grey)         | 2        |         |     |
| 8    | 84-1675-838-00 | Bolt M10*30                          | 4        |         |     |
| 9    | 89-1111-120252 | Hexagonal Bolt M12*25                | 4        |         |     |
| 10   | 89-1543-100002 | Mini Hexagonal Nut (SW) M10          | 4        |         |     |



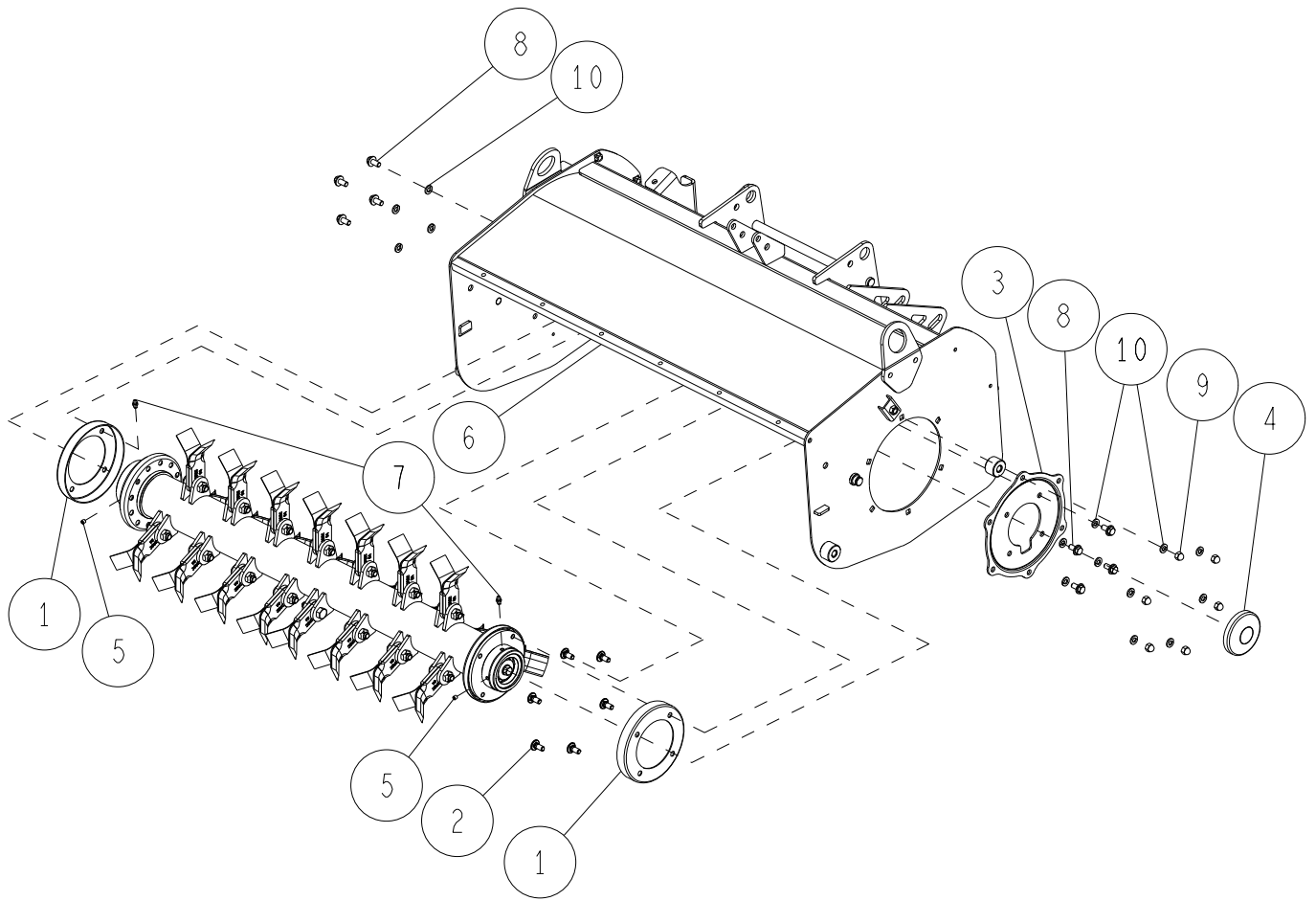
| Ref. | Parts Number           | Parts Name                | Quantity | Remarks | R/P |
|------|------------------------|---------------------------|----------|---------|-----|
| 1    | 80-1020-270-00         | Inner Collar              | 1        |         |     |
| 2    | 0204-6030 <sup>1</sup> | Front Cover CMP (White)   | 1        |         |     |
| 3    | 0204-60400             | Front Flapper             | 1        |         |     |
| 4    | 0204-60500             | Rear Flapper              | 1        |         |     |
| 5    | 0204-6060 <sup>1</sup> | Flapper Holder (White)    | 2        |         |     |
| 6    | 0204-6070 <sup>G</sup> | Safety Cover (Green)      | 1        |         |     |
| 7    | 0285-66100             | Rubber L30                | 2        |         |     |
| 8    | 0305-20700             | Step Bolt M6              | 1        |         |     |
| 9    | 0940-6070 <sup>1</sup> | Clinometer (White)        | 1        |         |     |
| 10   | 83-1630-342-00         | Washer 16*26*2.3          | 2        |         |     |
| 11   | 89-1137-060152         | Hexagonal Bolt (PW) M6*15 | 12       |         |     |
| 12   | 89-1211-080252         | Mini Hexagonal Bolt M8*25 | 2        |         |     |
| 13   | 89-1541-060002         | Hexagonal Nut (SW) M6     | 1        |         |     |
| 14   | 89-1581-060042         | Flange Cap Nut M6         | 12       |         |     |
| 15   | 89-1611-080042         | Mini Hexagonal Nut M8     | 2        |         |     |
| 16   | 89-1711-080002         | Flat Washer 8             | 1        |         |     |
| 17   | 89-2521-000120         | E Type Ring 12            | 2        |         |     |



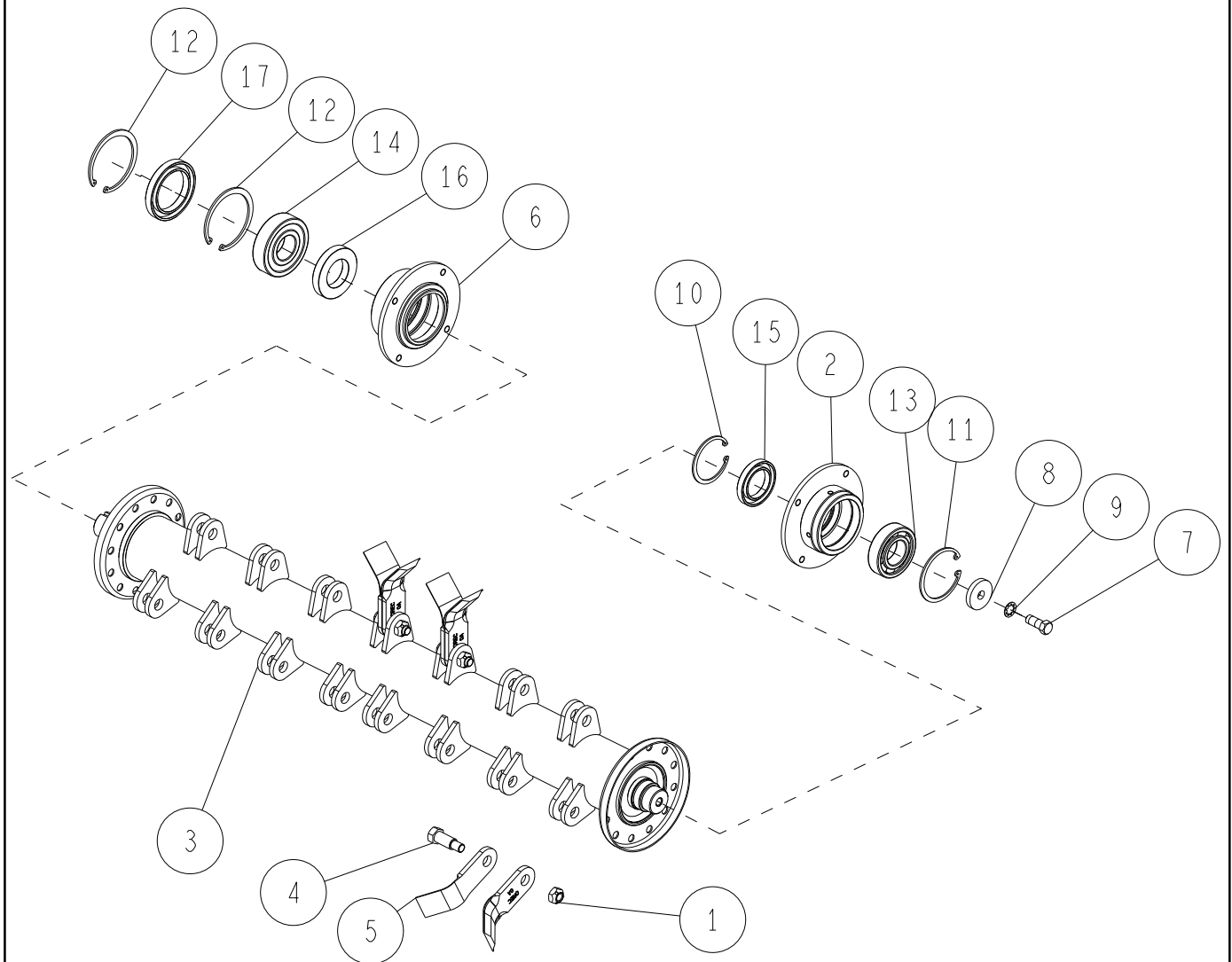
| Ref. | Parts Number   | Parts Name                         | Quantity | Remarks | R/P |
|------|----------------|------------------------------------|----------|---------|-----|
| 1    | 80-1182-527-00 | Tension Pulling Bolt               | 1        |         |     |
| 2    | 80-1425-551-00 | Differential Lock Spring           | 1        |         |     |
| 3    | 0245-74310     | Hexagonal Bolt(SW) M8*18 7T (Meck) | 2        |         |     |
| 4    | 0940-40400     | Tension Pulley                     | 1        |         | ★   |
| 5    | 0940-41601     | Front Tension Arm CMP (White)      | 1        |         |     |
| 6    | 0940-42201     | Blade Belt Cover CMP (White)       | 1        |         |     |
| 7    | 89-1611-080042 | Mini Hexagonal Nut M8              | 2        |         |     |
| 8    | 89-2511-000170 | Snap Ring (S17)                    | 1        |         |     |
| 9    | 89-2521-000150 | E Type Ring 15                     | 1        |         |     |
| 10   | 89-3115-063034 | Beagring 6303 2RS                  | 2        |         |     |
| 11   | 89-3510-016150 | DU Bush 16.15                      | 2        |         |     |
| 12   | 89-6123-003902 | V Belt SB-39 (W800)                | 2        |         | ★★  |



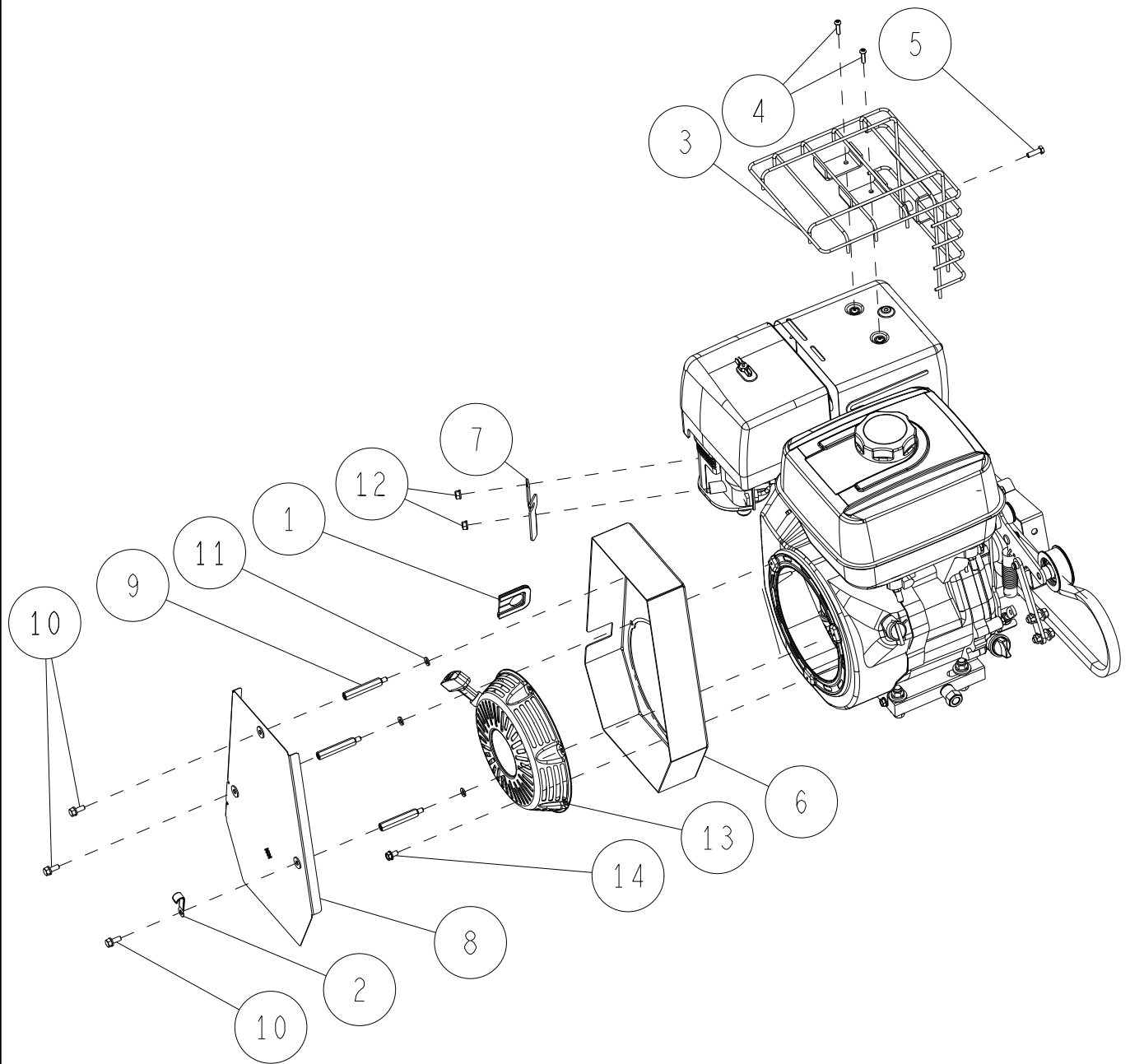
| Ref. | Parts Number               | Parts Name   | Quantity | Remarks | R/P |
|------|----------------------------|--|----------|---------|-----|
| 1    | 0212-72100                 | Hexagonal Bolt(8T) M10*25 (Meck)                   | 2        |         |     |
| 2    | 0244-63900                 | Round Head Pin 10*72                               | 1        |         |     |
| 3    | <a href="#">0245-74310</a> | <a href="#">Hexagonal Bolt(SW) M8*18 7T (Meck)</a> | 4        | *1)     |     |
|      | 0245-74300                 | Hexagonal Bolt(SW) M8*18 (Meck)                    | 4        |         |     |
| 4    | 0940-40200                 | Support Pulley                                     | 2        |         |     |
| 5    | 0940-40300                 | Blade Pulley                                       | 1        |         |     |
| 6    | 0940-5030H                 | Support Pipe CMP (Metallic Grey)                   | 1        |         |     |
| 7    | 0940-50400                 | Support Shaft                                      | 1        |         |     |
| 8    | 83-1610-125-00             | Hexagonal Bolt (8T) M10*35                         | 1        |         |     |
| 9    | 83-1610-321-00             | Washer 10*36*4.5                                   | 2        |         |     |
| 10   | 83-1610-322-00             | Washer 10*36*6                                     | 1        |         |     |
| 11   | 89-1750-100002             | Spring Washer 10                                   | 3        |         |     |
| 12   | 89-2120-300302             | Split Pin 3*30                                     | 1        |         |     |
| 13   | 89-2151-050350             | Key 5*35 (half round)                              | 2        |         |     |
| 14   | 89-2151-070300             | Key 7*30 (half round)                              | 1        |         |     |
| 15   | 89-3115-062044             | Bearing 6204 2RS                                   | 2        |         |     |



| Ref. | Parts Number   | Parts Name                            | Quantity | Remarks | R/P |
|------|----------------|---------------------------------------|----------|---------|-----|
| 1    | 0285-60300     | Dust Cover                            | 2        |         |     |
| 2    | 80-1614-705-00 | Flat Head Bolt M8*18                  | 6        |         |     |
| 3    | 0354-6020G     | Blade Shaft Bracket (Green)           | 1        |         |     |
| 4    | 0354-60600     | BB Case Cover                         | 1        |         |     |
| 5    | 0354-70500     | Set Screw M6×6 · Φ2 (Meck)            | 2        |         |     |
| 6    | 0940-6010G     | Rotary Cover CMP (Green)              | 1        |         |     |
| 7    | 83-1415-975-00 | Grease Nipple M6                      | 2        |         |     |
| 8    | 89-1253-080162 | Flange Mini Hexagonal Bolt (8T) M8*16 | 8        |         |     |
| 9    | 89-1671-080042 | Mini Cap Nut M8                       | 6        |         |     |
| 10   | 89-1750-080002 | Spring Washer 8                       | 14       |         |     |

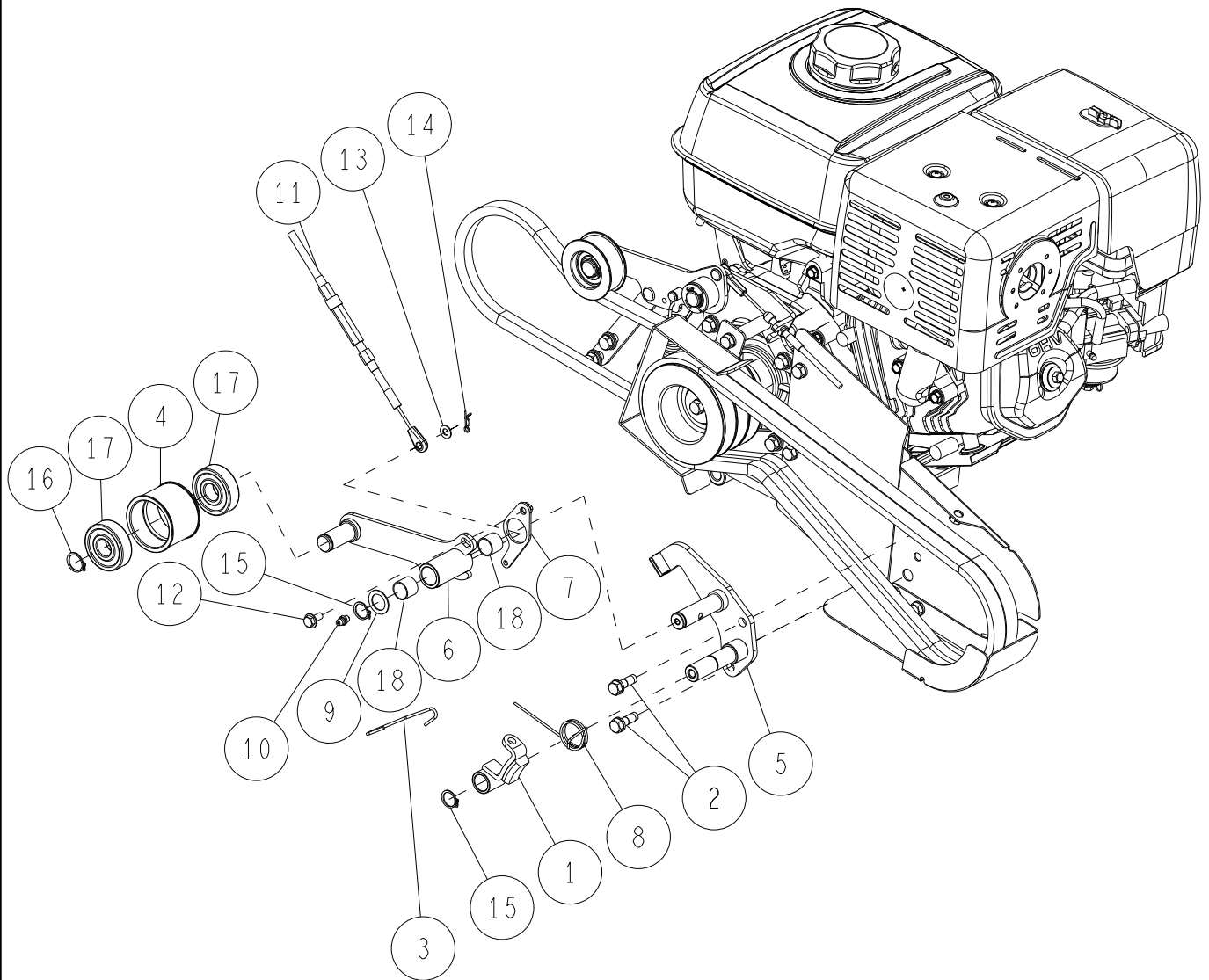


| Ref. | Parts Number   | Parts Name                              | Quantity | Remarks | R/P |
|------|----------------|---|----------|---------|-----|
| 1    | 0304-70200     | Self Lock Nut M10 P1.5                  | 23       |         | ★★  |
| 2    | 0354-5320H     | BB Case CMP (Metallic Grey)             | 1        |         |     |
| 3    | 0354-53000     | Knife Drum ASSY                         | 1        |         |     |
| 4    | 0354-56100     | Knife Setting Bolt                      | 23       |         | ★★  |
| 5    | 0354-70400     | Hummer Knife Blade 6t                   | 46       |         | ★★  |
| 6    | 0940-5050H     | BB Case (R) CMP (Metallic Grey)         | 1        |         |     |
| 7    | 83-1610-124-00 | Hexagonal Bolt (8T) M10*25 (left screw) | 1        |         |     |
| 8    | 83-1610-322-00 | Washer 10*36*6                          | 1        |         |     |
| 9    | 89-1812-100002 | Toothed Washer (inside) 10              | 1        |         |     |
| 10   | 89-2512-000550 | Snap Ring (R55)                         | 1        |         |     |
| 11   | 89-2512-000620 | Snap Ring (R62)                         | 1        |         |     |
| 12   | 89-2512-000720 | Snap Ring (R72)                         | 2        |         |     |
| 13   | 89-3111-062064 | Bearing 6206                            | 1        |         |     |
| 14   | 89-3111-063064 | Bearing 6306                            | 1        |         |     |
| 15   | 89-5121-355508 | Oil Seal UE 35.55.8                     | 1        |         |     |
| 16   | 89-5121-356210 | Oil Seal UE 35.62.10                    | 1        |         |     |
| 17   | 89-5121-507209 | Oil Seal UE 50.72.9                     | 1        |         |     |

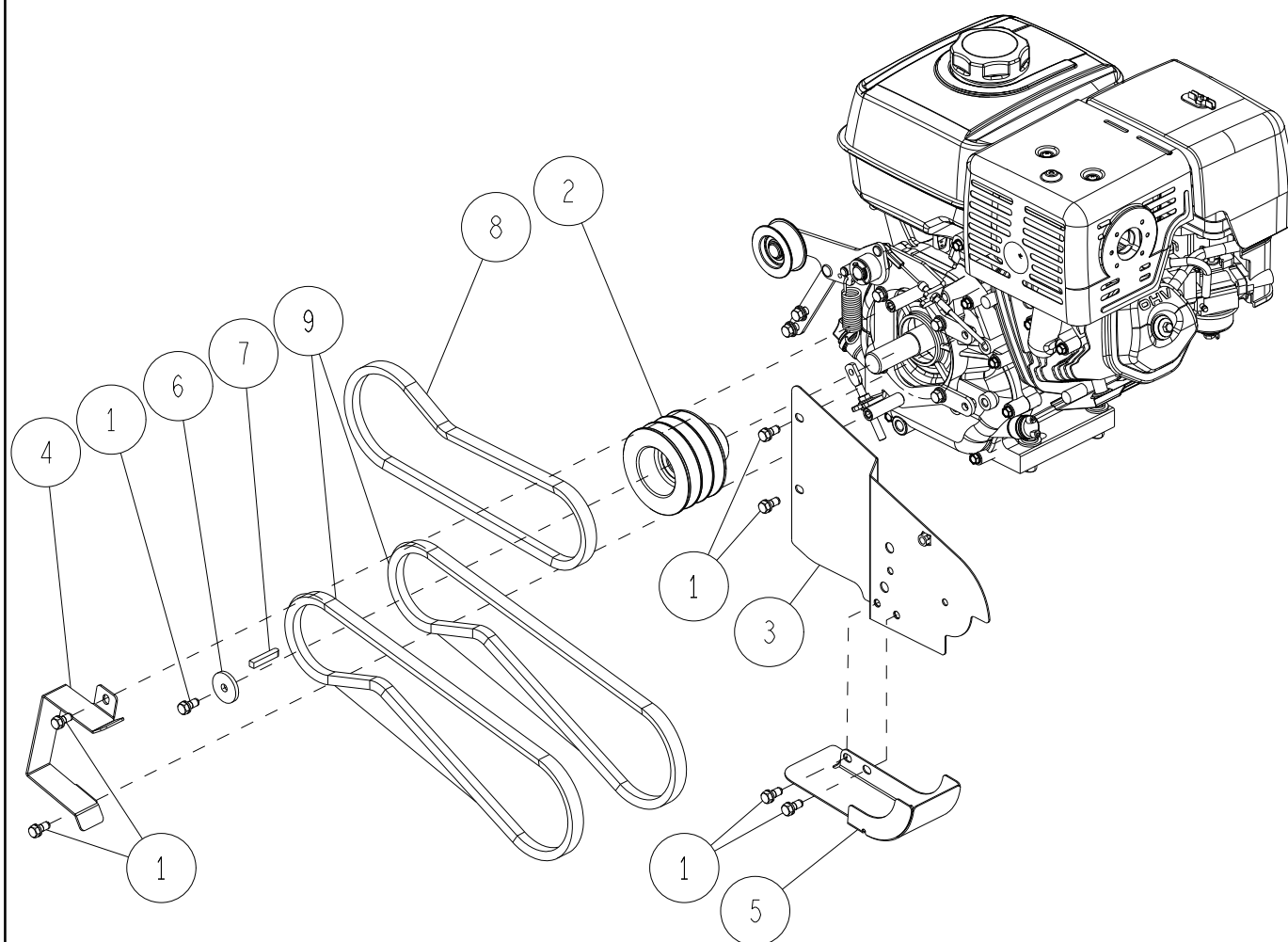


| Ref. | Parts Number   | Parts Name                           | Quantity | Remarks      | R/P |
|------|----------------|--------------------------------------|----------|--------------|-----|
| 1    | 0229-61700     | Edge Rubber                          | 1        |              |     |
| 2    | 0309-72200     | Clip 6                               | 1        |              |     |
| 3    | 0939-22600     | Muffler Guard CMP                    | 1        |              |     |
| 4    | 0939-71800     | Pan Head Bolt M5*20                  | 2        |              |     |
| 5    | 0939-71900     | Hexagonal Tapping Bolt M6*20         | 1        |              |     |
| 6    | 0940-2110H     | Recoil Cover CMP (Metallic Grey)     | 1        |              |     |
| 7    | 0940-2120H     | Choke Stay (Metallic Grey)           | 1        |              |     |
| 8    | 0940-2130H     | Recoil Cover Cap CMP (Metallic Grey) | 1        |              |     |
| 9    | 0940-21400     | Recoil Cover Setting Bolt            | 3        |              |     |
| 10   | 89-1132-060162 | Hexagonal Bolt (SW) M6*16            | 3        |              |     |
| 11   | 89-1750-060002 | Spring Washer 6                      | 3        |              |     |
| 12   | -              | Flange Nut M6                        | 2        | Engine Parts |     |
| 13   | -              | Starter ASSY                         | 1        | Engine Parts |     |
| 14   | -              | Flange Bolt M6×10                    | 1        | Engine Parts |     |

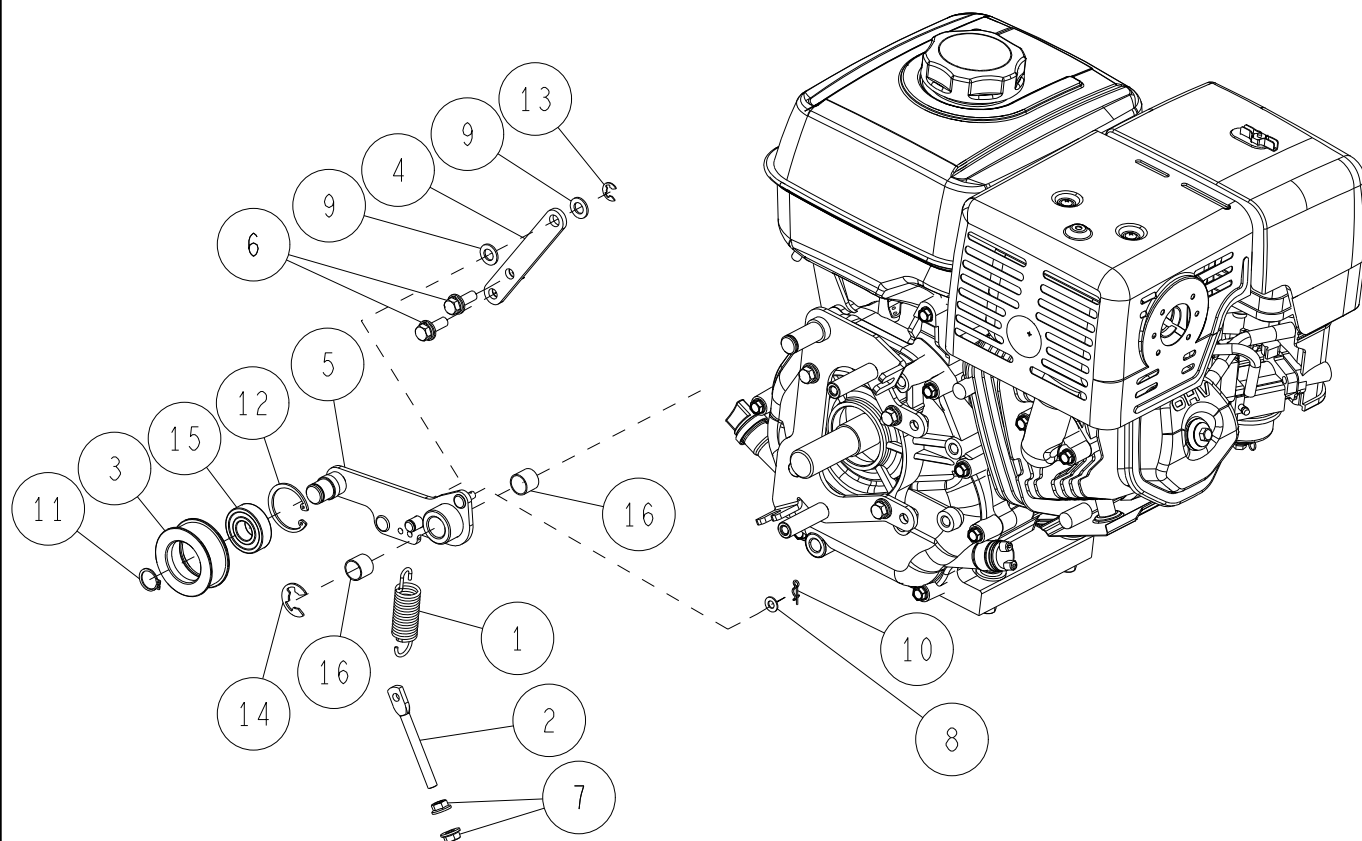




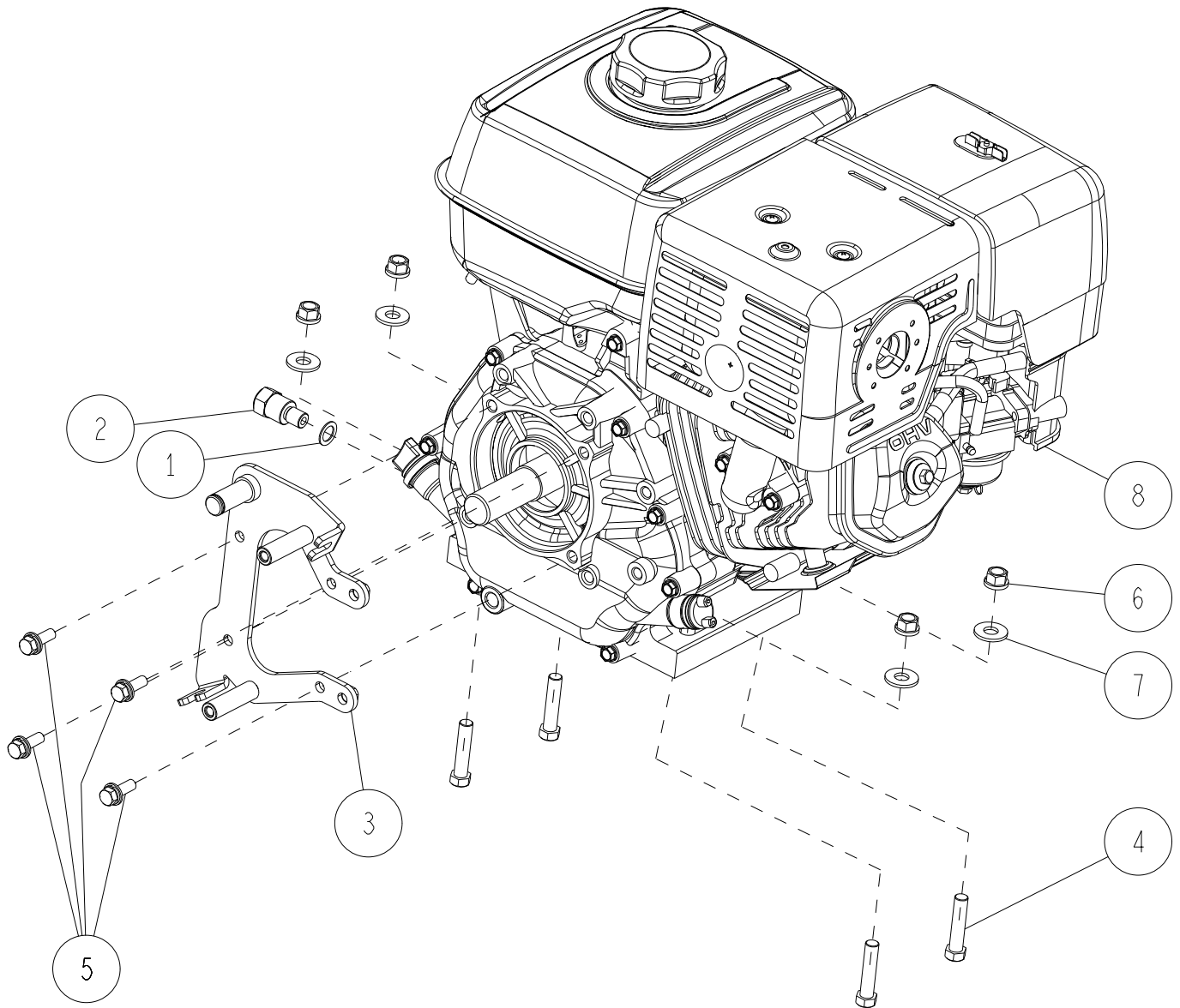
| Ref. | Parts Number           | Parts Name                            | Quantity | Remarks | R/P |
|------|------------------------|---------------------------------------|----------|---------|-----|
| 1    | 0231-3710 <sup>1</sup> | Knife Brake (White)                   | 1        |         |     |
| 2    | 0298-72110             | Hexagonal Bolt (SW) M8*25 (7T)        | 2        |         |     |
| 3    | 0320-74100             | Brake Rod                             | 1        |         |     |
| 4    | 0940-40400             | Tension Pulley                        | 1        |         |     |
| 5    | 0940-4140 <sup>H</sup> | Blade Clutch Stay CMP (Metallic Grey) | 1        |         |     |
| 6    | 0940-4150 <sup>1</sup> | Tension Arm CMP (White)               | 1        |         |     |
| 7    | 0940-41900             | Brake Stay CMP                        | 1        |         |     |
| 8    | 0940-70700             | Blade Brake Return Spring             | 1        |         |     |
| 9    | 83-1020-363-00         | Thrust Washer 16*24*1.0               | 1        |         |     |
| 10   | 83-1415-975-00         | Grease Nipple M6                      | 1        |         |     |
| 11   | 83-1484-937-20         | Differential Lock Wire                | 1        |         | ★★  |
| 12   | 89-1137-060152         | Hexagonal Bolt (PW) M6*15             | 1        |         |     |
| 13   | 89-1711-060002         | Flat Washer 6                         | 1        |         |     |
| 14   | 89-2132-060002         | Snap Pin 6 (with stopper)             | 1        |         |     |
| 15   | 89-2511-000150         | Snap Ring (S15)                       | 2        |         |     |
| 16   | 89-2511-000170         | Snap Ring (S17)                       | 1        |         |     |
| 17   | 89-3115-063034         | Beagring 6303 2RS                     | 2        |         |     |
| 18   | 89-3510-016150         | DU Bush 16.15                         | 2        |         |     |



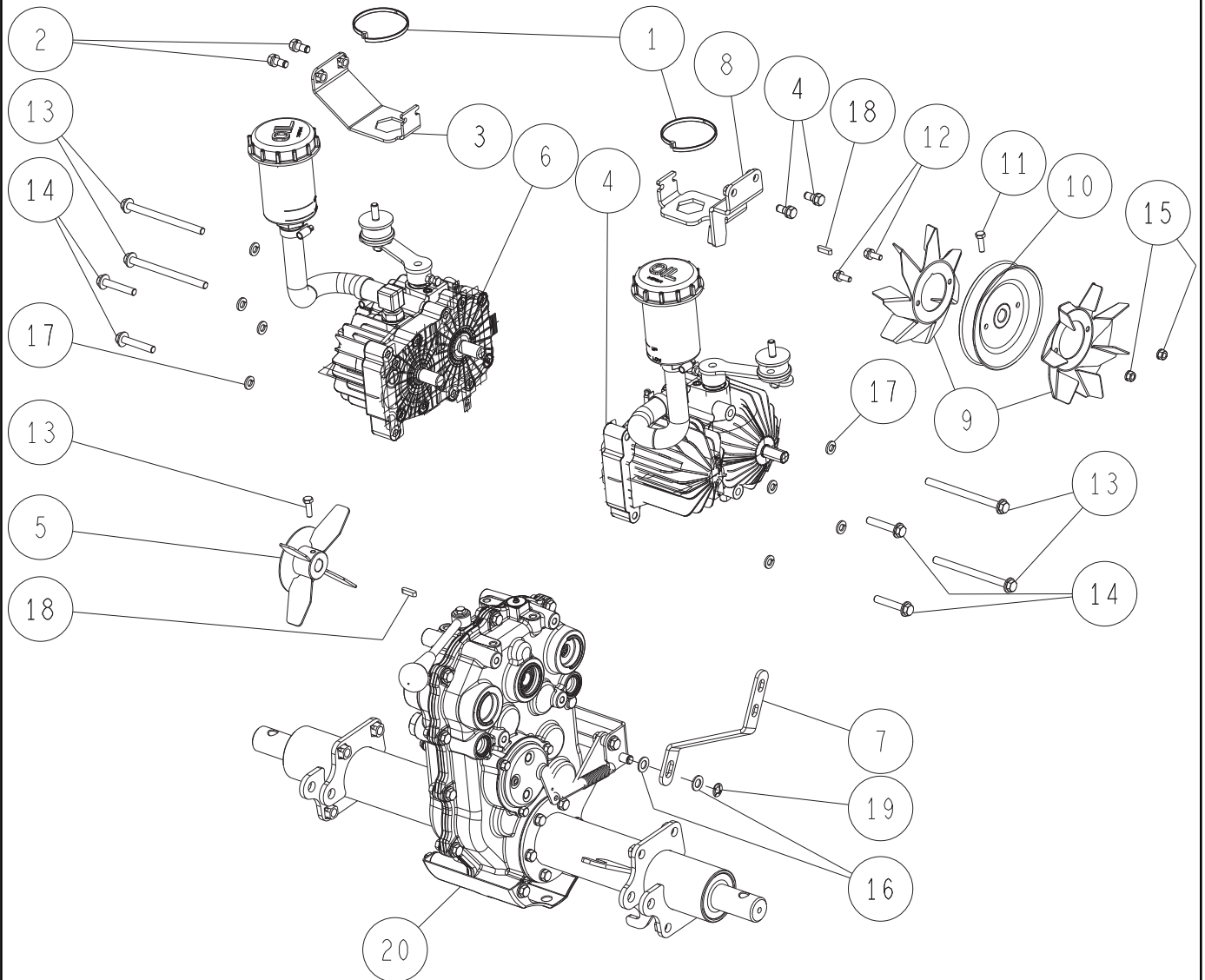
| Ref. | Parts Number   | Parts Name                            | Quantity | Remarks | R/P |
|------|----------------|---------------------------------------|----------|---------|-----|
| 1    | 0245-74310     | Hexagonal Bolt(SW) M8*18 7T (Meck)    | 7        |         |     |
| 2    | 0940-40100     | Engine Pulley                         | 1        |         |     |
| 3    | 0940-4121H     | Belt Cover Inside CMP (Metallic Grey) | 1        |         |     |
| 4    | 0940-4170H     | Belt Guide A (Metallic Grey)          | 1        |         |     |
| 5    | 0940-4180H     | Belt Guide B (Metallic Grey)          | 1        |         |     |
| 6    | 83-1565-315-00 | Washer 8*36*4.5                       | 1        |         |     |
| 7    | 89-2151-070400 | Key 7*40 (half round)                 | 1        |         |     |
| 8    | 89-6123-003402 | V Belt SB-34 W800                     | 1        |         | ★★  |
| 9    | 89-6123-004102 | V Belt SB-41 W800                     | 2        |         | ★★  |



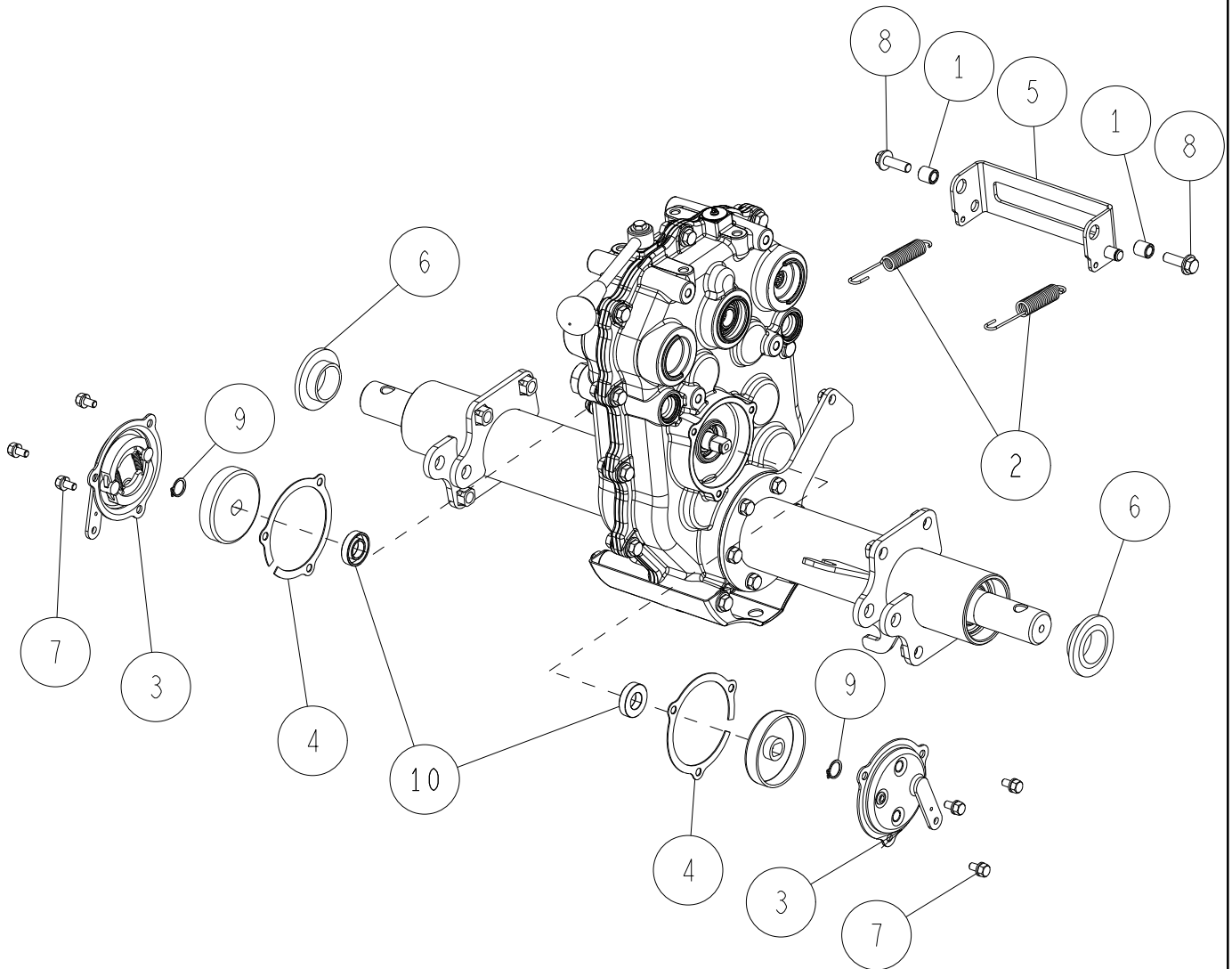
| Ref. | Parts Number   | Parts Name                          | Quantity | Remarks | R/P |
|------|----------------|-------------------------------------|----------|---------|-----|
| 1    | 80-1485-551-00 | Driving Tension Spring              | 1        |         |     |
| 2    | 0207-72300     | Change Brake Adjuster               | 1        |         |     |
| 3    | 0312-45100     | Tension Pulley                      | 1        |         | ★   |
| 4    | 0939-1180H     | Clutch Link Bar (B) (Metallic Grey) | 1        |         |     |
| 5    | 0939-4010H     | Tension Arm CMP (Metallic Grey)     | 1        |         |     |
| 6    | 89-1239-080252 | Mini Hexagonal Bolt (PWSW) M8*25    | 2        |         |     |
| 7    | 89-1631-080042 | Flange Mini Hexagonal Nut M8        | 2        |         |     |
| 8    | 89-1711-060002 | Flat Washer 6                       | 1        |         |     |
| 9    | 89-1711-100002 | Flat Washer 10*18*1.6               | 2        |         |     |
| 10   | 89-2132-060002 | Snap Pin 6 (with stopper)           | 1        |         |     |
| 11   | 89-2511-000170 | Snap Ring (S17)                     | 1        |         |     |
| 12   | 89-2512-000400 | Snap Ring (R40)                     | 1        |         |     |
| 13   | 89-2521-000080 | E Type Ring 8                       | 1        |         |     |
| 14   | 89-2521-000150 | E Type Ring 15                      | 1        |         |     |
| 15   | 89-3115-062034 | Bearing 6203 2RS                    | 1        |         |     |
| 16   | 89-3510-016150 | DU Bush 16.15                       | 2        |         |     |



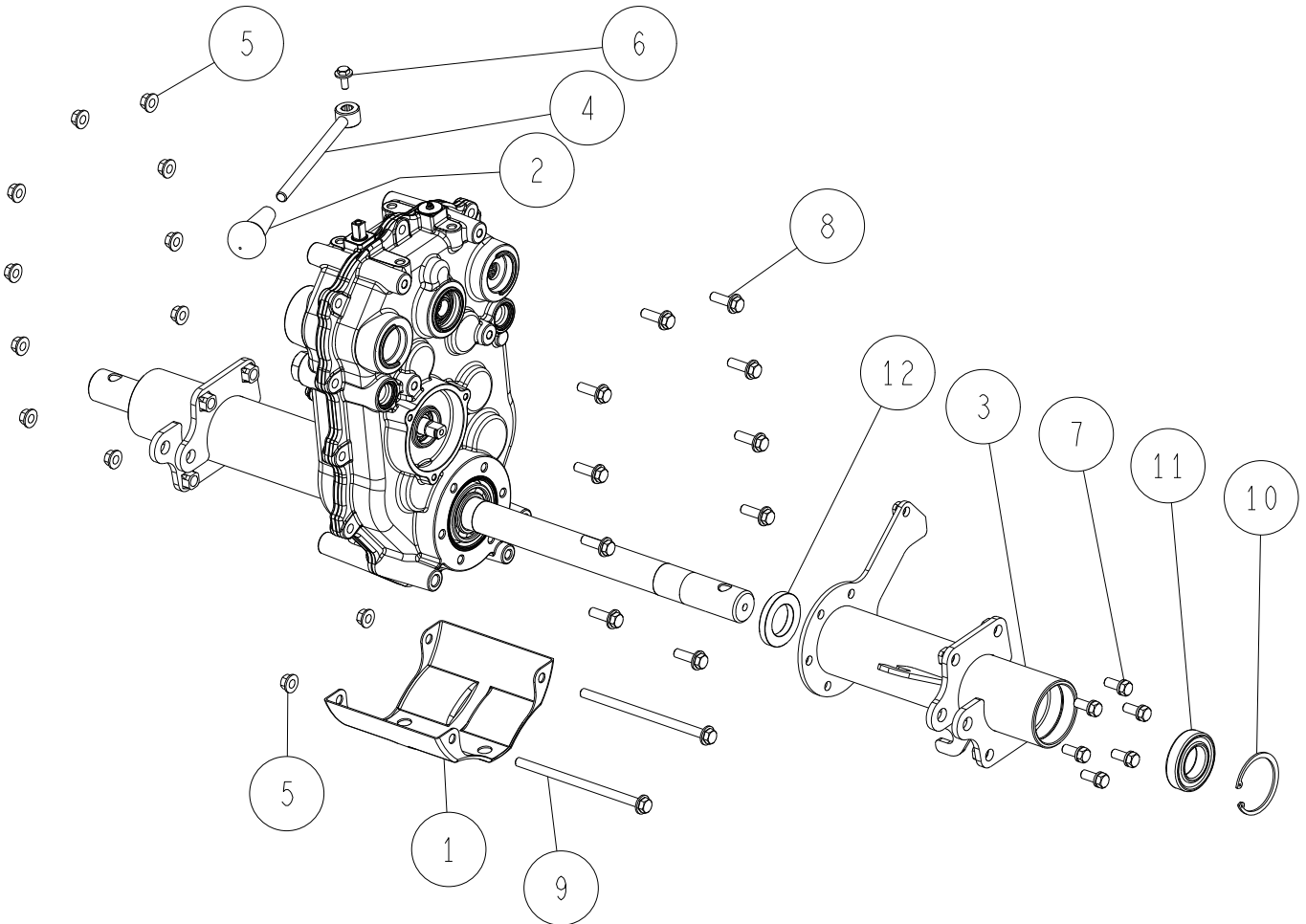
| Ref. | Parts Number   | Parts Name                             | Quantity | Remarks | R/P |
|------|----------------|--|----------|---------|-----|
| 1    | 0207-74900     | Copper Packing 12.5*19*1.0             | 1        |         |     |
| 2    | 0939-40800     | Extension Oil Drain                    | 1        |         |     |
| 3    | 0940-4131H     | Drive Tension Stay CMP (Metallic Grey) | 1        |         |     |
| 4    | 89-1213-100452 | Mini Hexagonal Bolt (8T) M10*45        | 4        |         |     |
| 5    | 89-1239-080252 | Mini Hexagonal Bolt (PWSW) M8*25       | 4        |         |     |
| 6    | 89-1543-100002 | Mini Hexagonal Nut (SW) M10            | 4        |         |     |
| 7    | 89-1713-100002 | Flat Washer 10 (large)                 | 4        |         |     |
| 8    | 9004-0170      | Honda GX390UT2X SE2C                   | 1        |         |     |



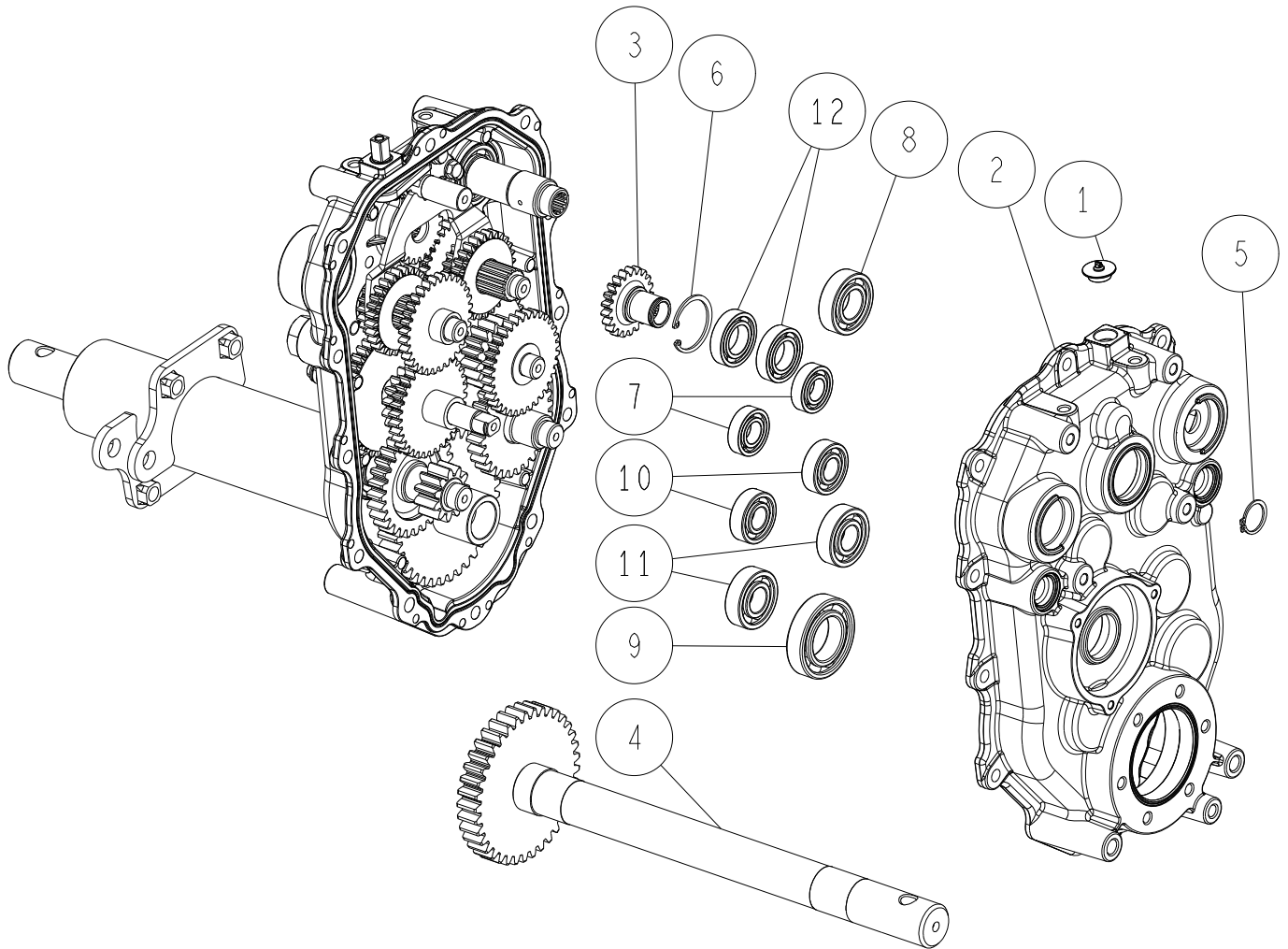
| Ref. | Parts Number   | Parts Name                            | Quantity | Remarks | R/P |
|------|----------------|---------------------------------------|----------|---------|-----|
| 1    | 0207-79900     | Wire Band 250L                        | 2        |         |     |
| 2    | 0245-74310     | Hexagonal Bolt(SW) M8*18 7T (Meck)    | 4        |         |     |
| 3    | 0939-01701     | HST Tank Stay CMP (White)             | 1        |         |     |
| 4    | 0939-07000     | HST Unit (R) ASSY                     | 1        |         | ★★  |
| 5    | 0939-07401     | HST Fan CMP (White)                   | 1        |         |     |
| 6    | 0939-08000     | HST Unit (L) ASSY                     | 1        |         | ★★  |
| 7    | 0939-1190H     | Clutch Link Bar C (Metallic Grey)     | 1        |         |     |
| 8    | 0940-01101     | HST Tank Stay (R) CMP (White)         | 1        |         |     |
| 9    | 0940-01201     | HST Fan (White)                       | 2        |         |     |
| 10   | 0940-01301     | HST Pulley CMP (White)                | 1        |         |     |
| 11   | 89-1113-060202 | Hexagonal Bolt (8T) M6*20             | 2        |         |     |
| 12   | 89-1132-060162 | Hexagonal Bolt (SW) M6*16             | 2        |         |     |
| 13   | 89-1251-081123 | Flange Mini Hexagonal Bolt M8*112     | 4        |         |     |
| 14   | 89-1253-080452 | Flange Mini Hexagonal Bolt (8T) M8*45 | 4        |         |     |
| 15   | 89-1541-060002 | Hexagonal Nut (SW) M6                 | 2        |         |     |
| 16   | 89-1711-100002 | Flat Washer 10*18*1.6                 | 2        |         |     |
| 17   | 89-1750-080002 | Spring Washer 8                       | 8        |         |     |
| 18   | 89-2150-050200 | Key 5*20 (round)                      | 2        |         |     |
| 19   | 89-2521-000080 | E Type Ring 8                         | 1        |         |     |
| 20   | 0939-01000     | Transmission ASSY                     | 1        |         |     |



| Ref. | Parts Number   | Parts Name                            | Quantity | Remarks | R/P |
|------|----------------|---------------------------------------|----------|---------|-----|
| 1    | 80-1020-270-00 | Inner Collar                          | 2        |         |     |
| 2    | 80-1614-248-00 | Brake Spring                          | 2        |         |     |
| 3    | 80-1614-310-00 | Brake Assy                            | 2        |         |     |
| 4    | 0211-31800     | Brake Packing (Large)                 | 2        |         |     |
| 5    | 0939-01900     | Brake Arm CMP                         | 1        |         |     |
| 6    | 0297-08000     | Oil Seal AP 35.55.16                  | 2        |         |     |
| 7    | 89-1132-060122 | Hexagonal Bolt (SW) M6*12             | 6        |         |     |
| 8    | 89-1253-080252 | Flange Mini Hexagonal Bolt (8T) M8*25 | 2        |         |     |
| 9    | 89-2511-000140 | Snap Ring (S14)                       | 2        |         |     |
| 10   | 89-5125-153007 | Oil Seal UE 15.30.07F                 | 2        |         |     |

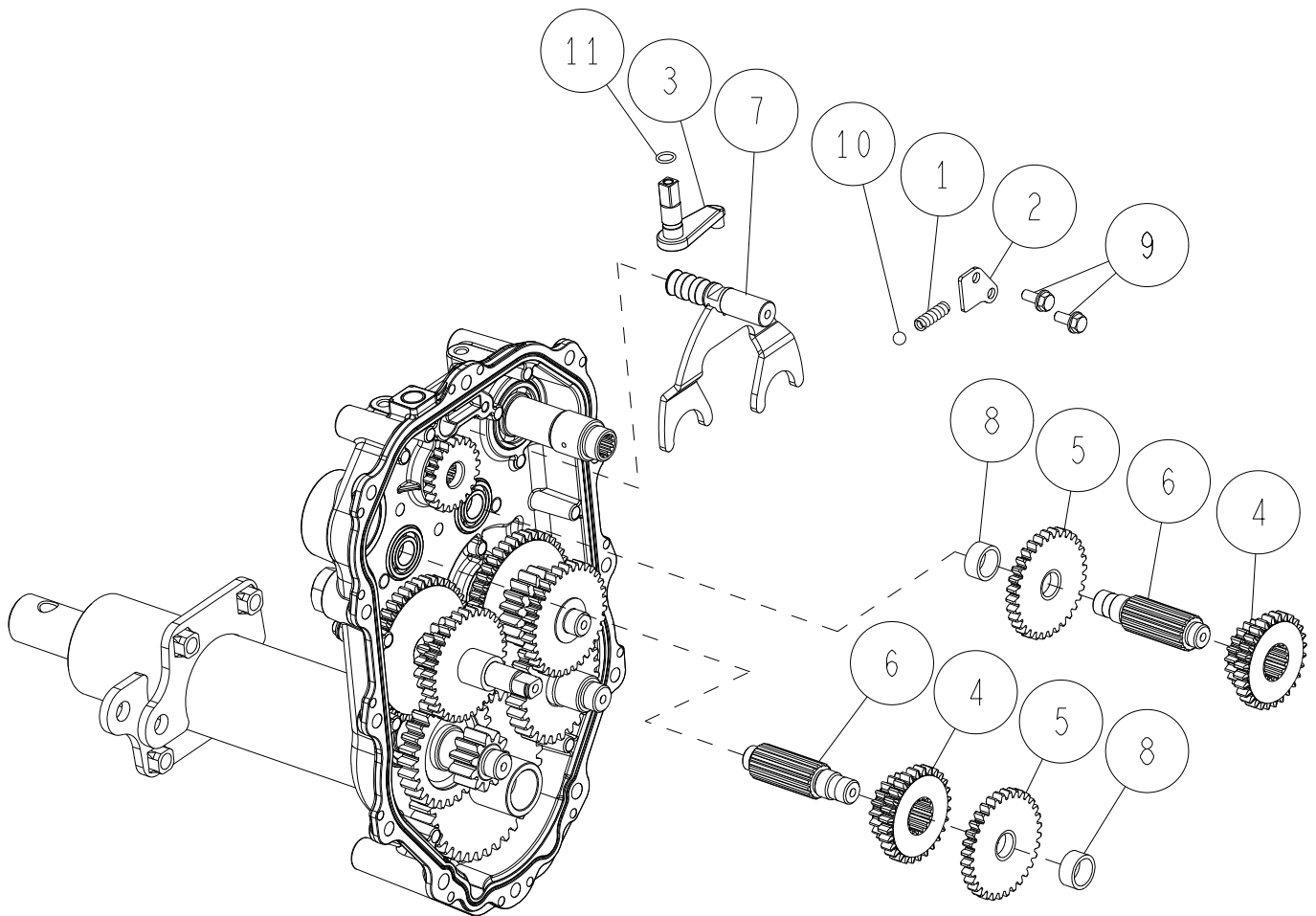


| Ref. | Parts Number   | Parts Name                             | Quantity | Remarks | R/P |
|------|----------------|--|----------|---------|-----|
| 1    | 80-1920-117-0H | Transmission Guard (Metallic Grey)     | 1        |         |     |
| 2    | 0334-70200     | Lever Grip 10 (Black)                  | 1        |         |     |
| 3    | 0939-0150H     | Axle BB Case (R) CMP (Metallic Grey)   | 1        |         |     |
| 4    | 0939-01800     | Change Lever CMP                       | 1        |         |     |
| 5    | 83-1484-255-00 | Lock Nut ZUF M8                        | 12       |         |     |
| 6    | 83-1565-111-00 | Hexagonal Bolt (with Big Washer) M6*16 | 1        |         |     |
| 7    | 89-1238-080202 | Mini Hexagonal Bolt (SW) M8*20         | 6        |         |     |
| 8    | 89-1253-080252 | Flange Mini Hexagonal Bolt (8T) M8*25  | 10       |         |     |
| 9    | 89-1253-081453 | Flange Mini Hexagonal Bolt (8T) M8*145 | 2        |         |     |
| 10   | 89-2512-000550 | Snap Ring (R55)                        | 1        |         |     |
| 11   | 89-3115-060064 | Bearing 6006 2RS                       | 1        |         |     |
| 12   | 89-5121-305007 | Oil Seal UE 30.50.7                    | 1        |         |     |

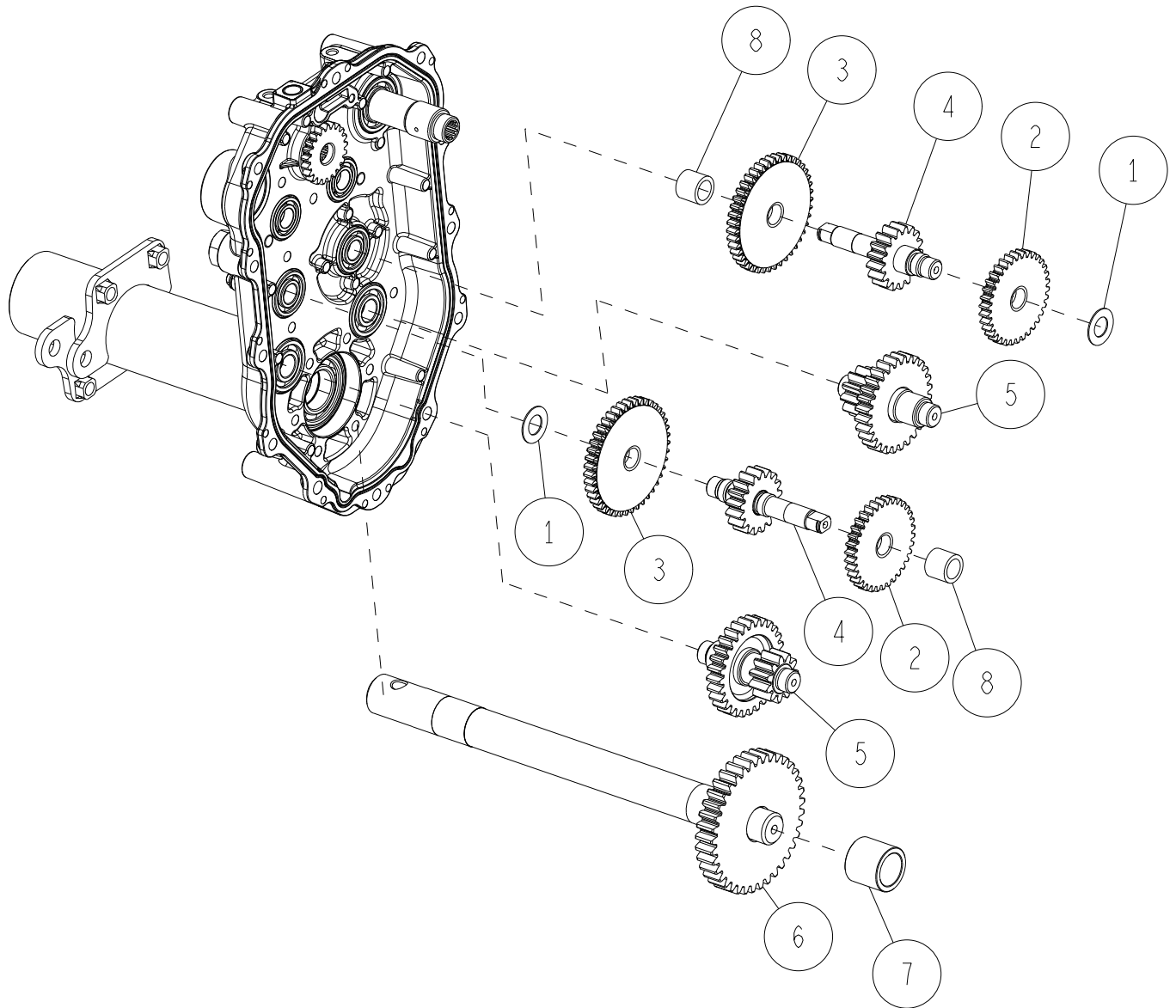


| Ref. | Parts Number   | Parts Name            | Quantity | Remarks | R/P |
|------|----------------|-----------------------|----------|---------|-----|
| 1    | 0305-70400     | SC15-5A(Air Breather) | 1        |         |     |
| 2    | 0939-00100     | Transmission Case (R) | 1        |         |     |
| 3    | 0939-00300     | Gear 21T              | 1        |         |     |
| 4    | 0939-01100     | Axle CMP              | 1        |         |     |
| 5    | 89-2511-000200 | Snap Ring (S20)       | 1        |         |     |
| 6    | 89-2512-000370 | Snap Ring (R37)       | 1        |         |     |
| 7    | 89-3111-060024 | Bearing 6002          | 2        |         |     |
| 8    | 89-3111-060044 | Bearing 6004          | 1        |         |     |
| 9    | 89-3111-060064 | Bearing 6006          | 1        |         |     |
| 10   | 89-3111-062024 | Bearing 6202          | 2        |         |     |
| 11   | 89-3111-062034 | Bearing 6203          | 2        |         |     |
| 12   | 89-3111-069044 | Bearing 6904          | 2        |         |     |

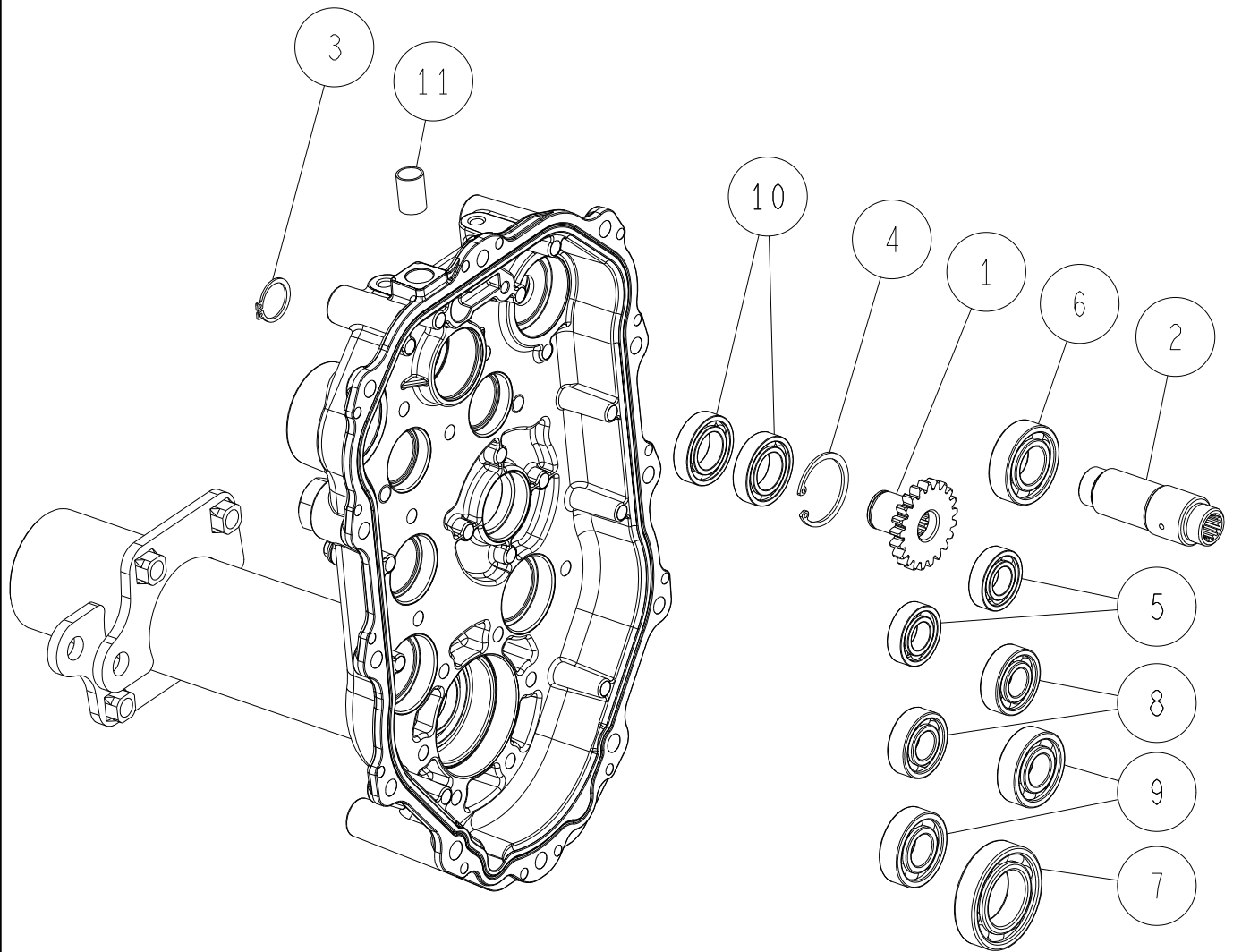




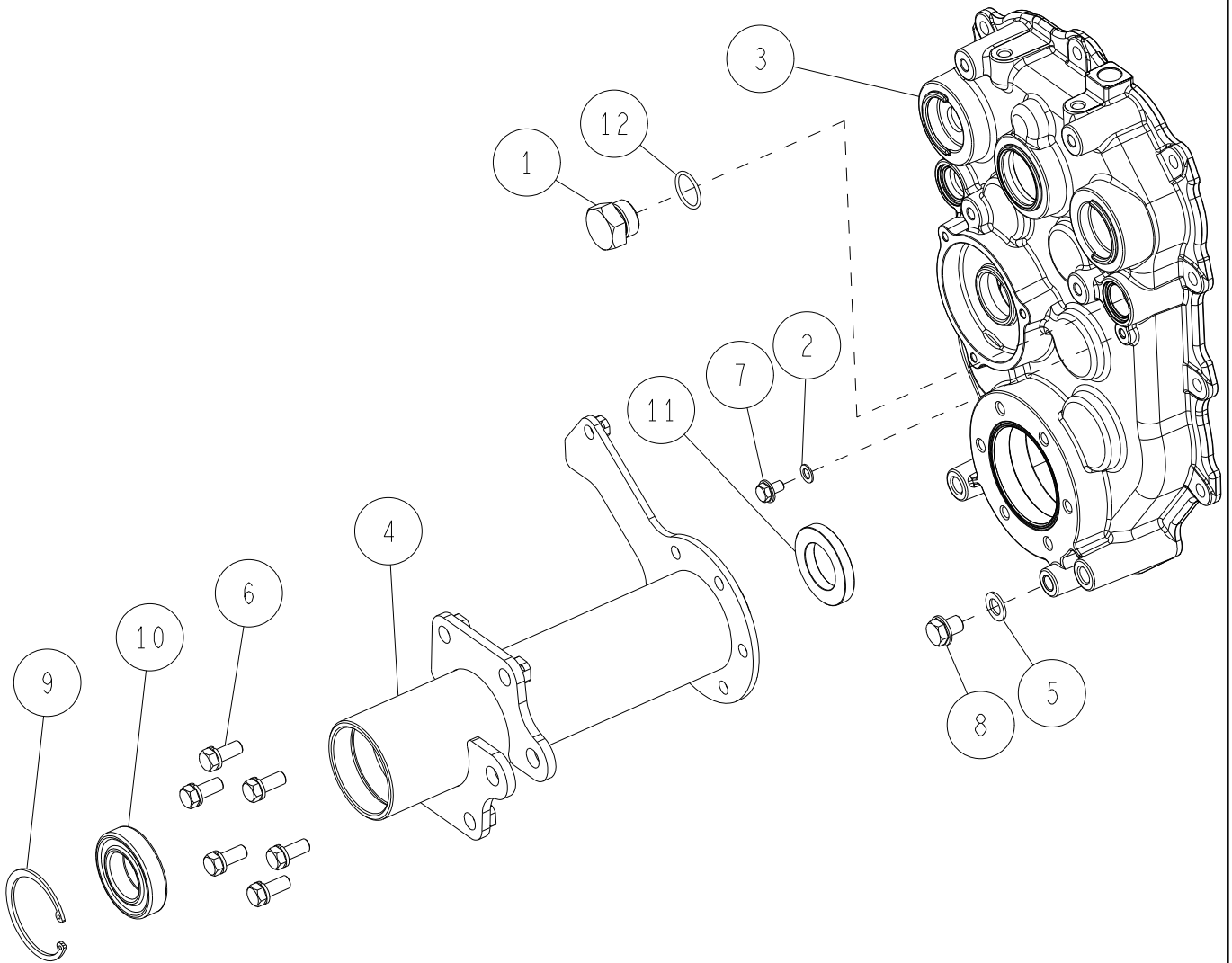
| Ref. | Parts Number   | Parts Name            | Quantity | Remarks | R/P |
|------|----------------|-----------------------|----------|---------|-----|
| 1    | 80-1210-161-00 | Spring (Sub-Change)   | 1        |         |     |
| 2    | 80-1321-115-00 | Shift Spring Holder B | 1        |         |     |
| 3    | 80-1575-106-00 | Swing Arm             | 1        |         |     |
| 4    | 0312-00700     | Shift Gear 19-28      | 2        |         |     |
| 5    | 0939-00500     | B Axle Gear 32T       | 2        |         |     |
| 6    | 0939-00600     | B Axle                | 2        |         |     |
| 7    | 0939-00900     | Shift Fork CMP        | 1        |         |     |
| 8    | 0939-01200     | Collar L10            | 2        |         |     |
| 9    | 83-1020-148-00 | Tapping Bolt M6*14    | 2        |         |     |
| 10   | 89-3410-075000 | Steel Ball 7.5        | 1        |         |     |
| 11   | 89-5221-009000 | O Ring P9             | 1        |         |     |



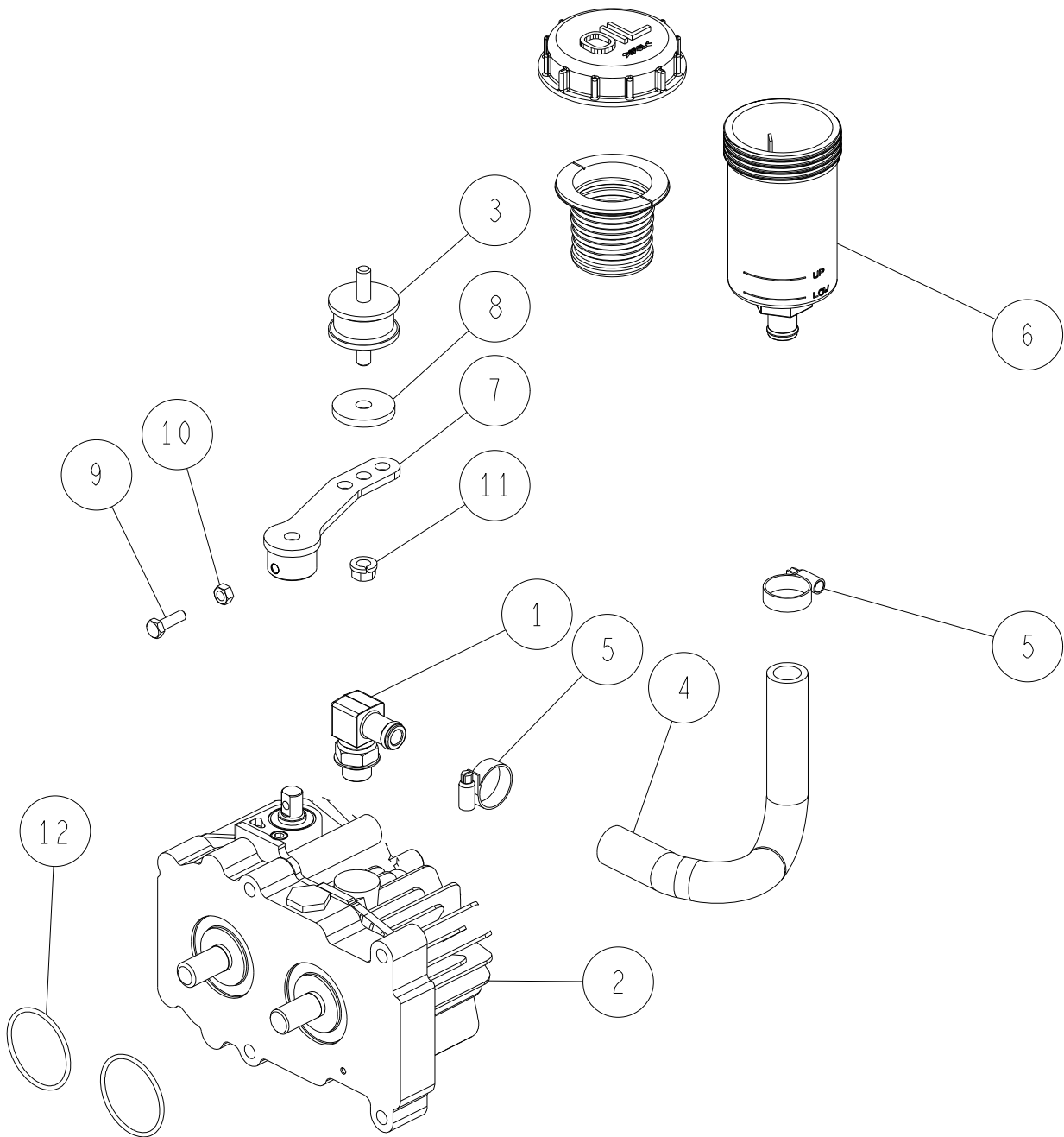
| Ref. | Parts Number | Parts Name              | Quantity | Remarks | R/P |
|------|--------------|-------------------------|----------|---------|-----|
| 1    | 0028-70800   | Thrust Washer 15*28*1.0 | 2        |         |     |
| 2    | 0207-01310   | Brake Shaft 34T Gear    | 2        |         |     |
| 3    | 0312-00900   | Brake Axle 43T Gear     | 2        |         |     |
| 4    | 0939-00700   | Brake Axle              | 2        |         |     |
| 5    | 0939-00800   | Gear CMP 11-28T         | 2        |         |     |
| 6    | 0939-01100   | Axle CMP                | 1        |         |     |
| 7    | 0939-01300   | Axle Collar             | 1        |         |     |
| 8    | 0939-01400   | Collar L18.4            | 2        |         |     |



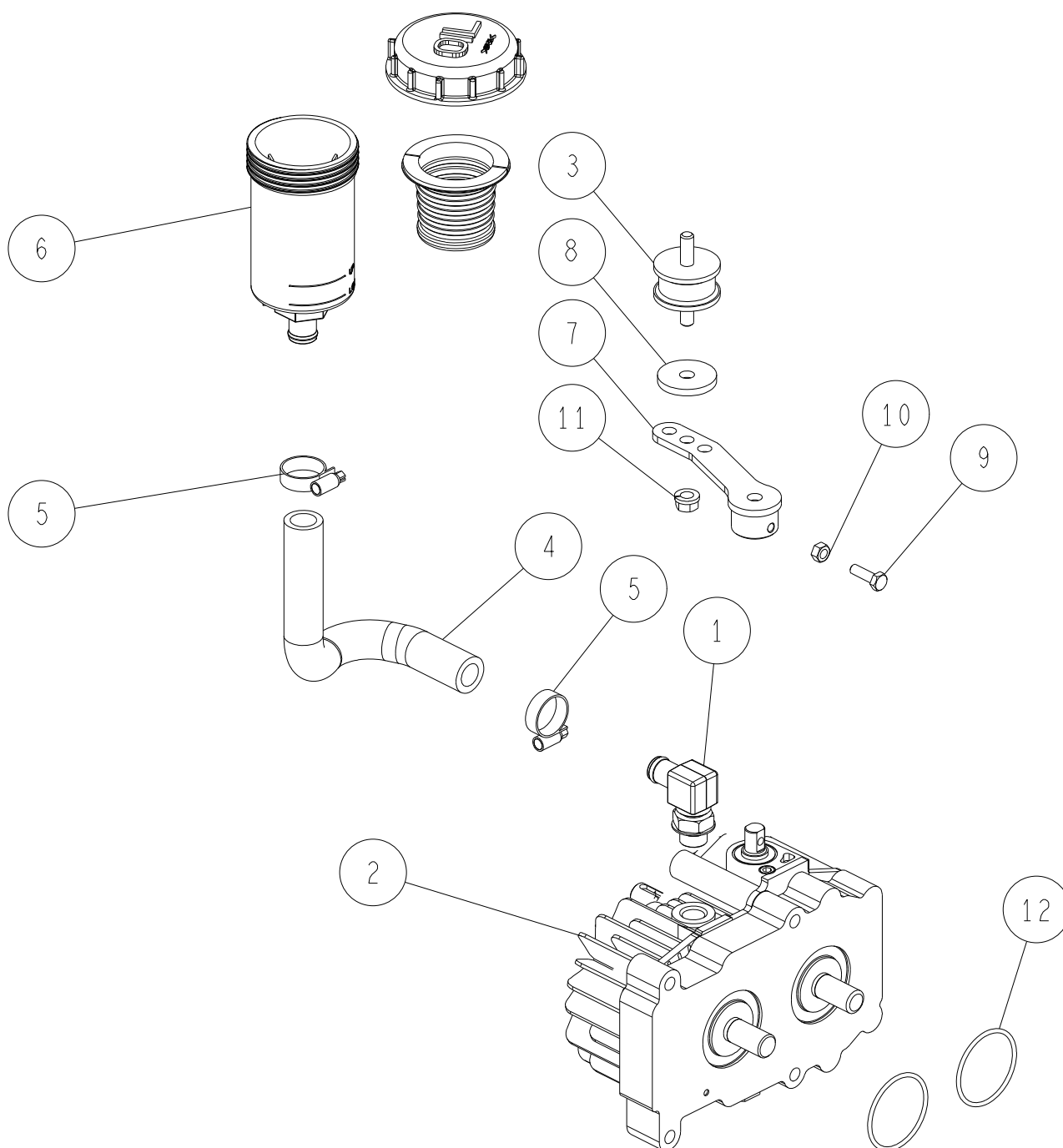
| Ref. | Parts Number   | Parts Name      | Quantity | Remarks | R/P |
|------|----------------|-----------------|----------|---------|-----|
| 1    | 0939-00300     | Gear 21T        | 1        |         |     |
| 2    | 0939-00400     | A Axle CMP      | 1        |         |     |
| 3    | 89-2511-000200 | Snap Ring (S20) | 1        |         |     |
| 4    | 89-2512-000370 | Snap Ring (R37) | 1        |         |     |
| 5    | 89-3111-060024 | Bearing 6002    | 2        |         |     |
| 6    | 89-3111-060044 | Bearing 6004    | 1        |         |     |
| 7    | 89-3111-060064 | Bearing 6006    | 1        |         |     |
| 8    | 89-3111-062024 | Bearing 6202    | 2        |         |     |
| 9    | 89-3111-062034 | Bearing 6203    | 2        |         |     |
| 10   | 89-3111-069044 | Bearing 6904    | 2        |         |     |
| 11   | 89-3510-012200 | DU Bush 12.20   | 1        |         |     |



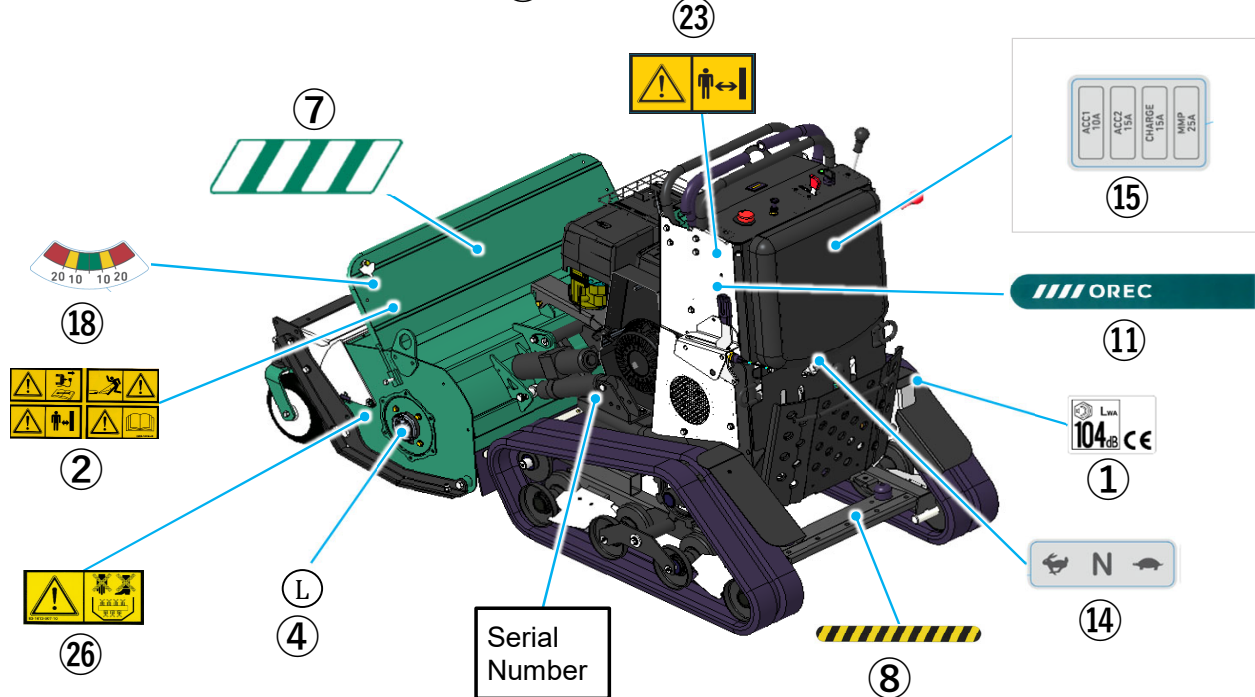
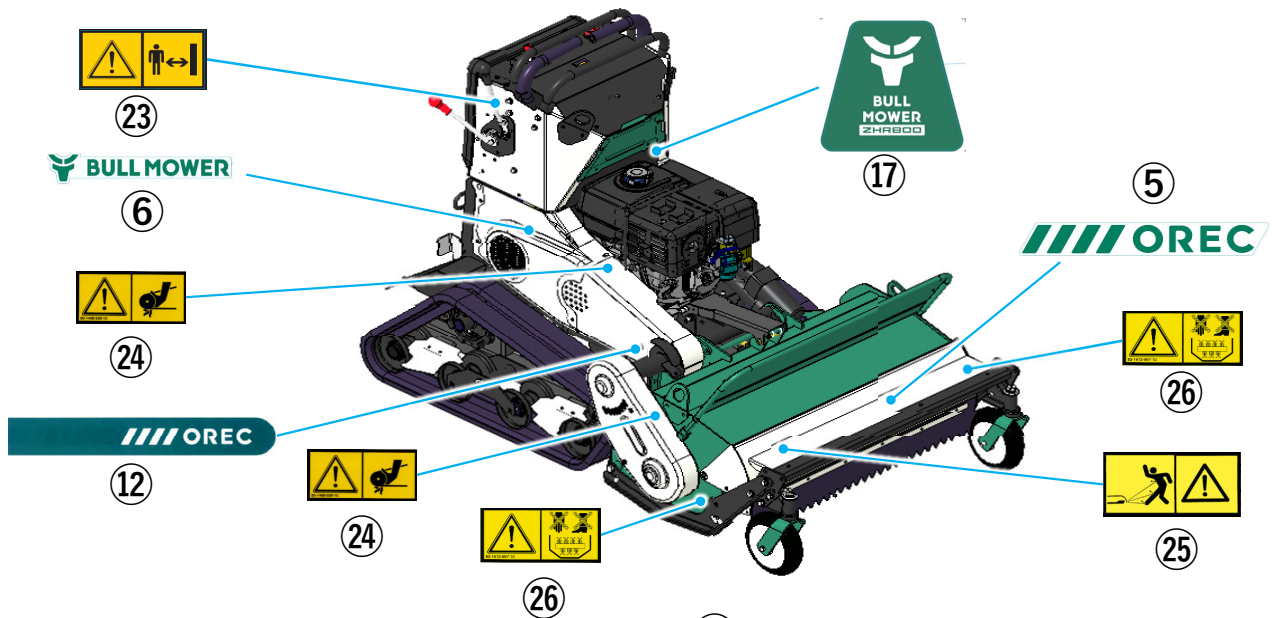
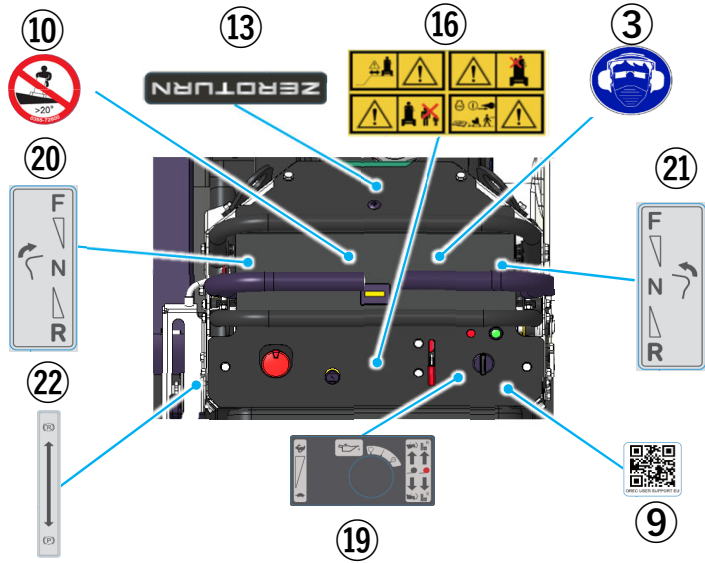
| Ref. | Parts Number   | Parts Name                              | Quantity | Remarks | R/P |
|------|----------------|---|----------|---------|-----|
| 1    | 80-1032-119-00 | Oil Cock M22                            | 1        |         |     |
| 2    | 0013-70800     | Copper Packing 6                        | 1        |         |     |
| 3    | 0939-00200     | Transmission Case (L)                   | 1        |         |     |
| 4    | 0939-0160H     | Axle BB Case (L) CMP (Metallic Grey)    | 1        |         |     |
| 5    | 83-1020-349-00 | Copper Packing 10.5*18*1.6              | 1        |         |     |
| 6    | 89-1238-080202 | Mini Hexagonal Bolt (SW) M8*20          | 6        |         |     |
| 7    | 89-1251-060102 | Flange Hexagonal Bolt M6*10             | 1        |         |     |
| 8    | 89-1252-100122 | Flange Mini Hexagonal Bolt M10*12 (sler | 1        |         |     |
| 9    | 89-2512-000550 | Snap Ring (R55)                         | 1        |         |     |
| 10   | 89-3115-060064 | Bearing 6006 2RS                        | 1        |         |     |
| 11   | 89-5121-305007 | Oil Seal UE 30.50.7                     | 1        |         |     |
| 12   | 89-5221-020000 | O Ring P20                              | 1        |         |     |



| Ref. | Parts Number   | Parts Name                     | Quantity | Remarks        | R/P |
|------|----------------|--------------------------------|----------|----------------|-----|
| -    | 0939-07000     | HST Unit (R) ASSY              | 1        | Include 1 ~ 12 | ★★  |
| 1    | 0207-07700     | Port Joint                     | 1        |                |     |
| 2    | -              | HST Unit (R)                   | 1        |                |     |
| 3    | 0239-23100     | Antivibration Rubber 40        | 1        |                |     |
| 4    | 0244-72700     | HST Oil Hose                   | 1        |                |     |
| 5    | 0312-74400     | Hose Band 16-25                | 2        |                |     |
| 6    | 0320-06000     | Oil Tank ASSY (with Black Cap) | 1        |                |     |
| 7    | 0939-02100     | Control Arm (R) CMP            | 1        |                |     |
| 8    | 83-1565-315-00 | Washer 8*36*4.5                | 1        |                |     |
| 9    | 89-1113-060202 | Hexagonal Bolt (8T) M6*20      | 1        |                |     |
| 10   | 89-1511-060042 | Hexagonal Nut M6               | 1        |                |     |
| 11   | 89-1543-080002 | Mini Hexagonal Nut (SW) M8     | 1        |                |     |
| 12   | 89-5222-045000 | O Ring G45                     | 2        |                |     |

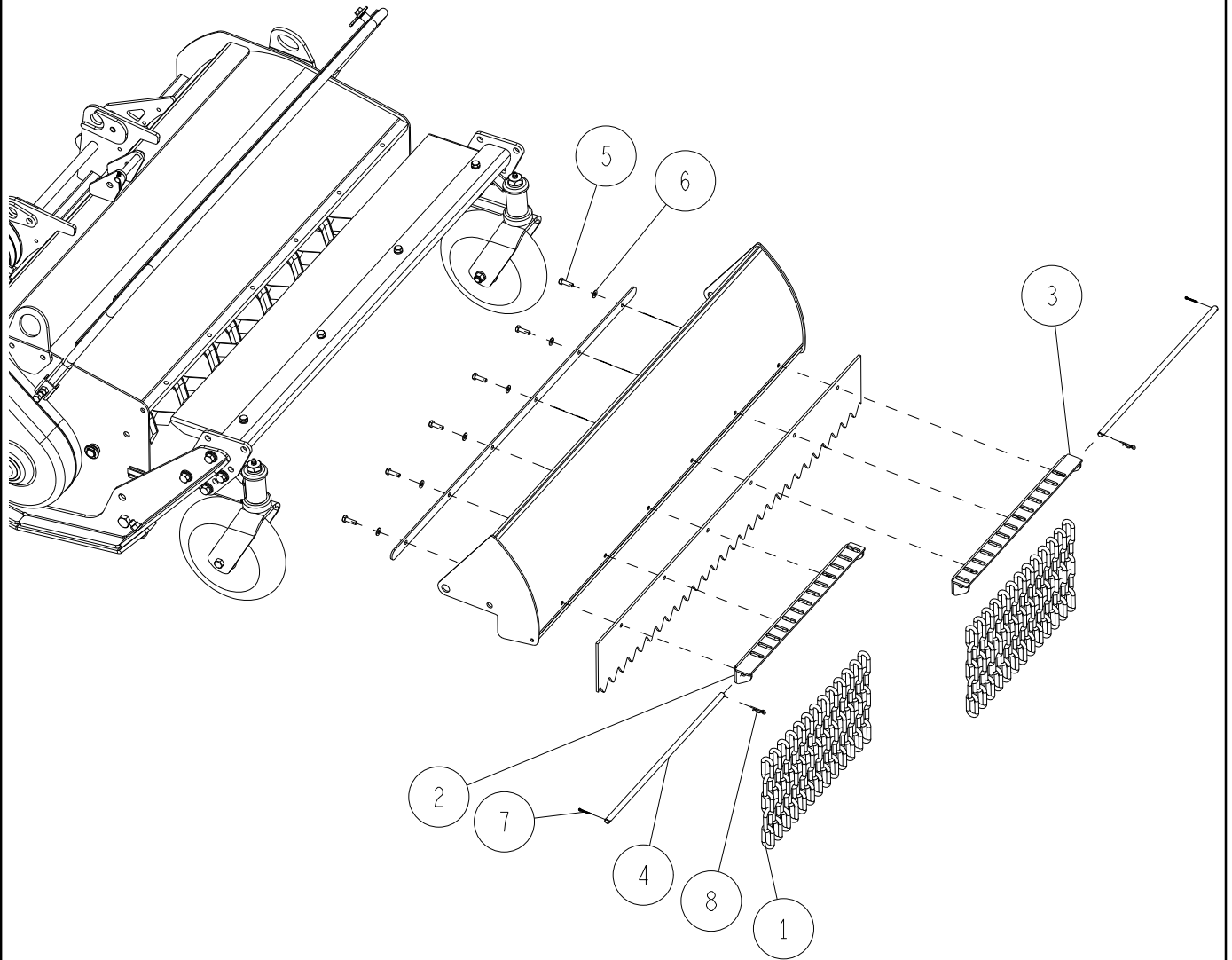


| Ref. | Parts Number   | Parts Name                     | Quantity | Remarks        | R/P |
|------|----------------|--------------------------------|----------|----------------|-----|
| -    | 0939-08000     | HST Unit (L) ASSY              | 1        | Include 1 ~ 12 | ★★  |
| 1    | 0207-07700     | Port Joint                     | 1        |                |     |
| 2    | -              | HST Unit (L)                   | 1        |                |     |
| 3    | 0239-23100     | Antivibration Rubber 40        | 1        |                |     |
| 4    | 0244-72700     | HST Oil Hose                   | 1        |                |     |
| 5    | 0312-74400     | Hose Band 16-25                | 2        |                |     |
| 6    | 0320-06000     | Oil Tank ASSY (with Black Cap) | 1        |                |     |
| 7    | 0939-02200     | Control Arm (L) CMP            | 1        |                |     |
| 8    | 83-1565-315-00 | Washer 8*36*4.5                | 1        |                |     |
| 9    | 89-1113-060202 | Hexagonal Bolt (8T) M6*20      | 1        |                |     |
| 10   | 89-1511-060042 | Hexagonal Nut M6               | 1        |                |     |
| 11   | 89-1543-080002 | Mini Hexagonal Nut (SW) M8     | 1        |                |     |
| 12   | 89-5222-045000 | O Ring G45                     | 2        |                |     |



| Ref. | Parts Number   | Parts Name                        | Quantity | Remarks | R/P |
|------|----------------|-----------------------------------|----------|---------|-----|
| 1    | 0202-74400     | Label, Noise 104db                | 1        |         |     |
| 2    | 0223-76100     | Label, Caution (Large)            | 1        |         |     |
| 3    | 0270-71300     | Label, Protection Equipment       | 1        |         |     |
| 4    | 0304-71500     | Label for Left Screw              | 1        |         |     |
| 5    | 0334-72400     | Label, OREC Logo (Large)          | 1        |         |     |
| 6    | 0334-72600     | Label, Bull Mower                 | 1        |         |     |
| 7    | 0334-72700     | Label, Guard Cover                | 1        |         |     |
| 8    | 0334-82100     | Label, Steps Caution              | 1        |         |     |
| 9    | 0340-78200     | QR Code EU                        | 1        |         |     |
| 10   | 0355-72800     | Label, Caution Slope 20°          | 1        |         |     |
| 11   | 0930-71900     | Label, Left Side                  | 1        |         |     |
| 12   | 0930-72900     | Label, Right Side                 | 1        |         |     |
| 13   | 0939-75100     | Label, ZEROTURN                   | 1        |         |     |
| 14   | 0939-75700     | Label, Change                     | 1        |         |     |
| 15   | 0939-76200     | Label, Caution                    | 1        |         |     |
| 16   | 0940-72300     | Label, Front Cover (OR)           | 1        |         |     |
| 17   | 0940-74100     | Label, Clinometer                 | 1        |         |     |
| 18   | 0940-74600     | Label, Blade                      | 1        |         |     |
| 19   | 0940-74700     | Label, Control (L)                | 1        |         |     |
| 20   | 0940-74800     | Label, Control (R)                | 1        |         |     |
| 21   | 0940-74900     | Label, Parking                    | 1        |         |     |
| 22   | 0940-75100     | Label, Caution Operation          | 2        |         |     |
| 23   | 80-1488-928-10 | Label, Caution for Belt Involving | 2        |         |     |
| 24   | 83-1415-912-10 | Label, Caution for Hitting Object | 1        |         |     |
| 25   | 83-1613-907-10 | Label, Caution for Hand and Leg   | 3        |         |     |
| 26   | -              | Serial Number                     | 1        |         |     |





| Ref. | Parts Number   | Parts Name                 | Quantity | Remarks         | R/P |
|------|----------------|----------------------------|----------|-----------------|-----|
| 1    | 0940-81100     | Chain $\Phi 6.5 \times 5L$ | 26       |                 |     |
| 2    | 0940-81200     | Chain Stay (L) CMP         | 1        |                 |     |
| 3    | 0940-81300     | Chain Stay (R) CMP         | 1        |                 |     |
| 4    | 0940-81400     | Chain Shaft                | 2        |                 |     |
| 5    | 89-1113-060202 | Hexagonal Bolt (8T) M6*20  | 6        |                 |     |
| 6    | 89-1711-060002 | Flat Washer 6              | 6        |                 |     |
| 7    | 89-2120-250152 | Split Pin 2.5*15           | 2        |                 |     |
| 8    | 89-2131-080002 | Snap Pin 8                 | 2        |                 |     |
| -    | 0940-81000     | Chain Guard Set            | 1        | 1,2,3,4,5,6,7,8 |     |